

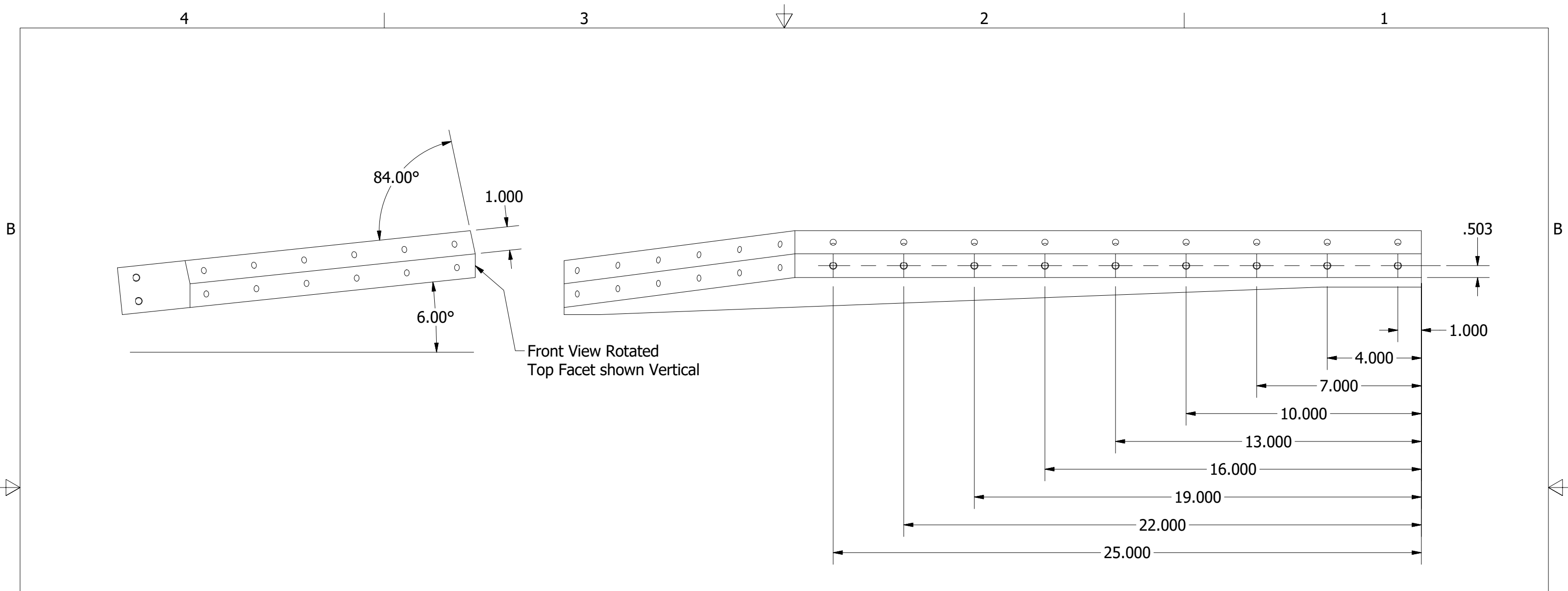
Top Side
See Sheet 2

Front Angled Side
See Sheet 3

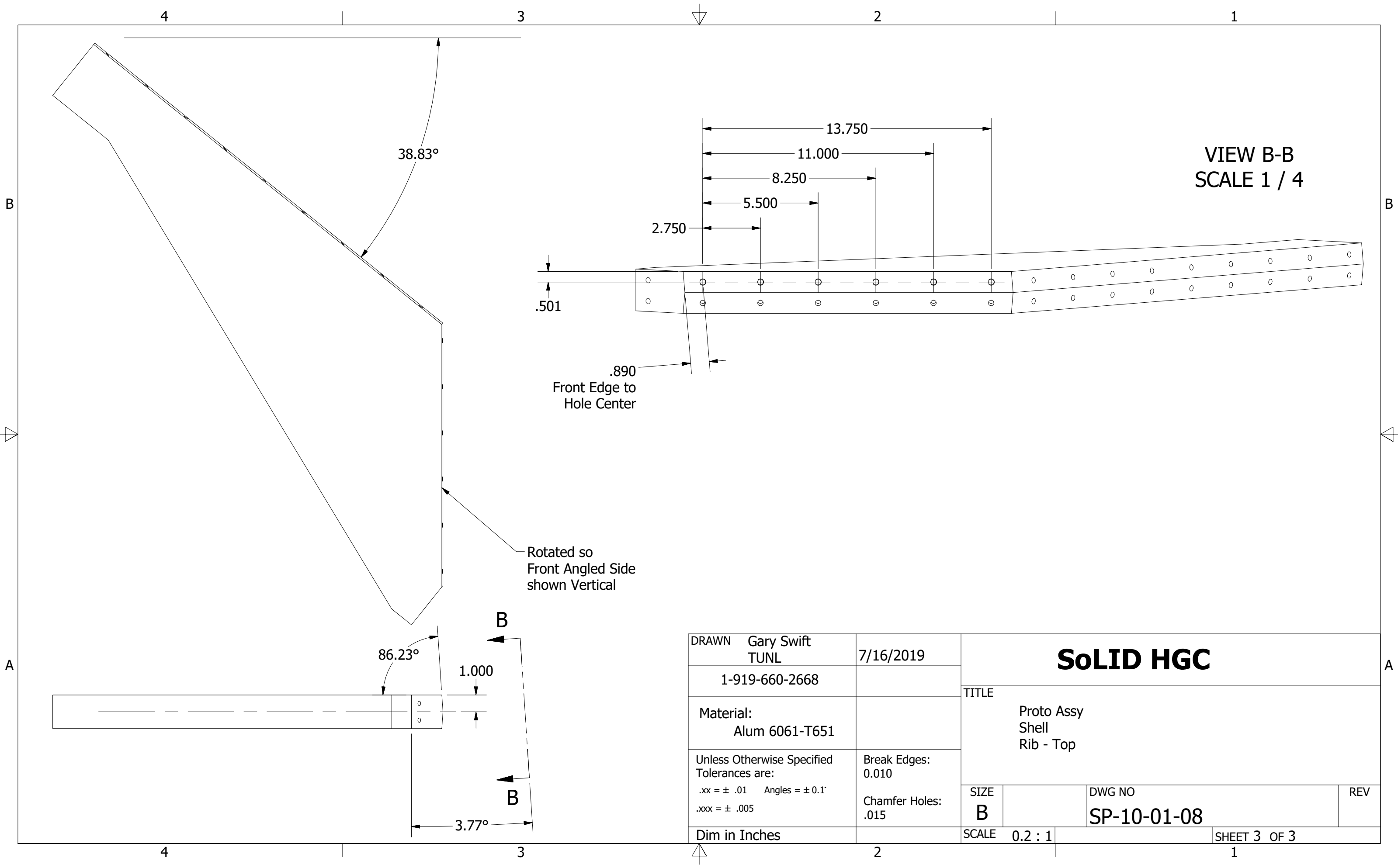
Center Plane

Note:
Holes are All
5/16-24 UNF - 2B ∇ .625
X36 (18 + 18 Mirrored about Center Plane)
Drilled Normal to Facet

DRAWN Gary Swift TUNL	7/16/2019	SoLID HGC		
1-919-660-2668				
Material: Alum 6061-T651		TITLE Proto Assy Shell Rib - Top		
Unless Otherwise Specified Tolerances are: .xx = \pm .01 Angles = \pm 0.1' .xxx = \pm .005	Break Edges: 0.010 Chamfer Holes: .015			
Dim in Inches		SIZE B	DWG NO SP-10-01-08	REV
		SCALE 0.2 : 1	SHEET 1 OF 3	



DRAWN Gary Swift TUNL	7/16/2019	SoLID HGC		
1-919-660-2668				
Material: Alum 6061-T651		TITLE		
Unless Otherwise Specified Tolerances are: .xx = ± .01 Angles = ± 0.1° .xxx = ± .005	Break Edges: 0.010 Chamfer Holes: .015			
Dim in Inches		SIZE B	DWG NO SP-10-01-08	REV
		SCALE 1 / 4	SHEET 2 OF 3	



VIEW B-B
SCALE 1 / 4

.890
Front Edge to
Hole Center

Rotated so
Front Angled Side
shown Vertical

DRAWN Gary Swift TUNL	7/16/2019	SoLID HGC		
1-919-660-2668				
Material: Alum 6061-T651		TITLE Proto Assy Shell Rib - Top		
Unless Otherwise Specified Tolerances are: .xx = ± .01 Angles = ± 0.1° .xxx = ± .005	Break Edges: 0.010 Chamfer Holes: .015	SIZE B	DWG NO SP-10-01-08	REV
Dim in Inches		SCALE 0.2 : 1	SHEET 3 OF 3	