

8 7 6 5 4 3 2 1

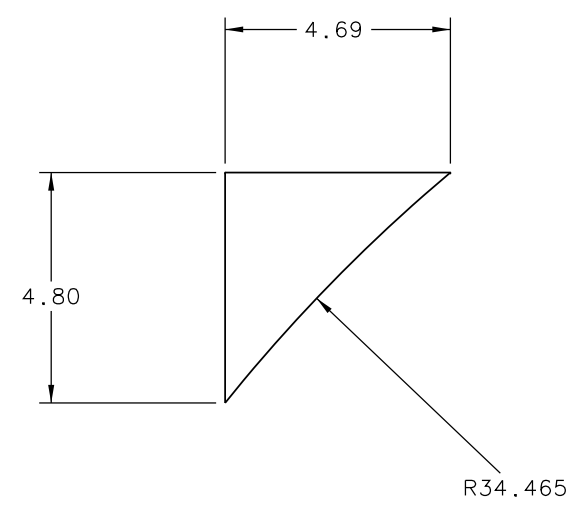
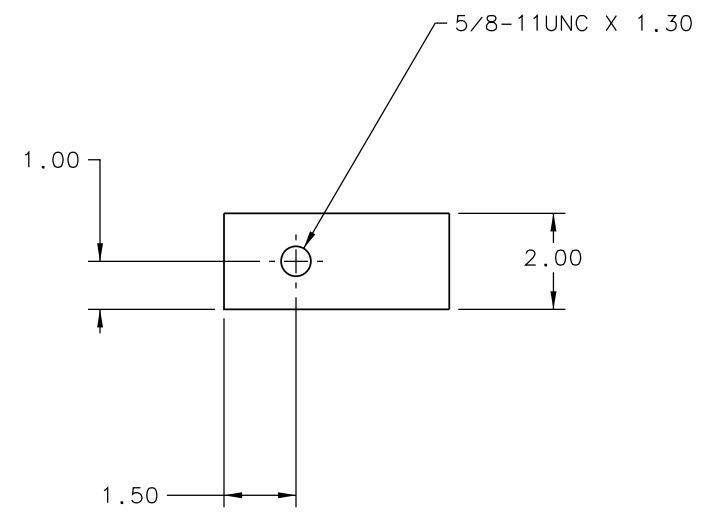
REVISION HISTORY				
ZONE	REV	DESCRIPTION	DATE	APPROVED

D


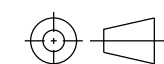
C

B

A



QTY REQD	ITEM NO.	PART OR IDENTIFYING NO.	NOMENCLATURE OR DESCRIPTION	MATERIAL SPECIFICATION	NOTES
1	1	-	LIFTING LUG	ALUMINUM	-

DOCUMENT CONTROL STAMP	DIM & TOL PER ASME Y14.5 UNLESS OTHERWISE SPECIFIED DIMENSIONS ARE IN INCHES TOLERANCES ARE: FRACTIONS DECIMAL ANGLES ± N/A .X ± .1 ± .50° .XX ± .01 .XXX ± .005	TRACKING NO. N/A		United States Department of Energy  Newport News Virginia	
		APPROVALS		DATE	
MATERIAL NOTED	THIRD ANGLE PROJECTION	DRAWN FURCHES	06/16/11		
FINISH MACHINED SURFACES DEBURR & BREAK ALL SHARP EDGES		CHECKED	HALL C SHMS HEAVY GAS CERENKOV LIFTING LUG		
DO NOT SCALE DRAWING		APPROVED	APPROVED	SIZE DWG. NO. <b>D</b> 67165-00057	REV. -
		SCALE	NONE	USED ON ASSY NO. 67165-00050	SHEET 1 OF 1

8 7 6 5 4 3 2 1