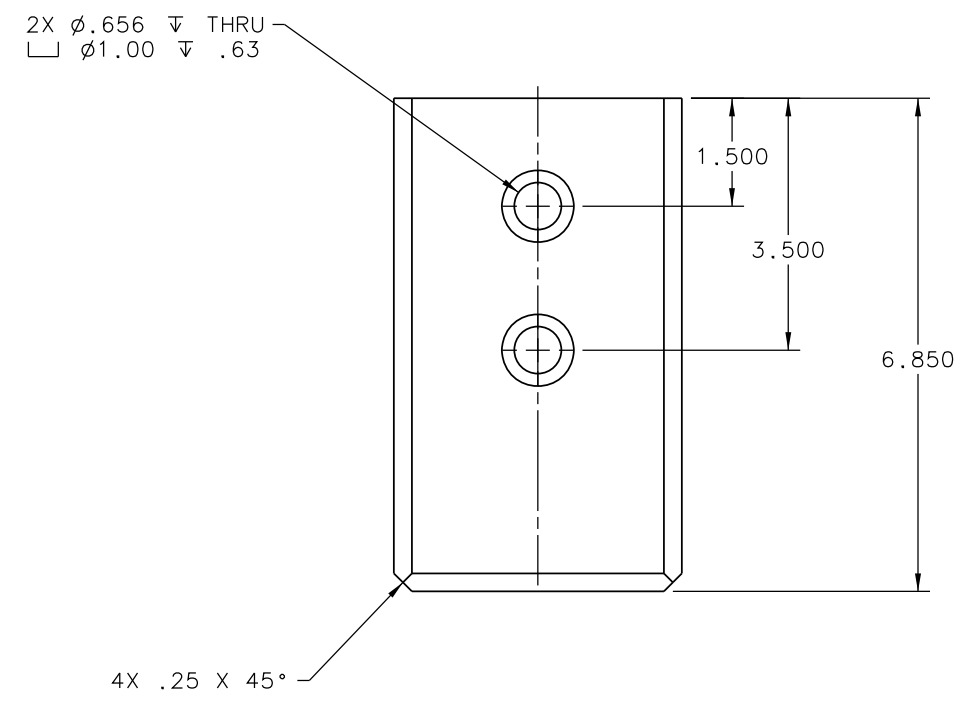
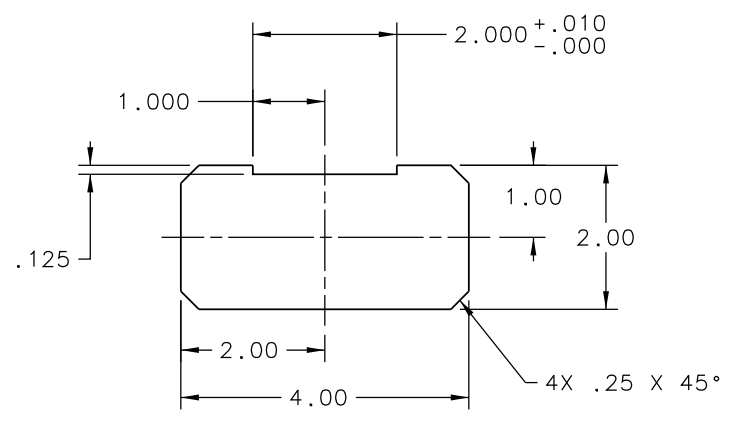


REVISION HISTORY				
ZONE	REV	DESCRIPTION	DATE	APPROVED



1	1	-	FORWARD FOOT	STAINLESS STEEL	-
QTY REQD	ITEM NO.	PART OR IDENTIFYING NO.	NOMENCLATURE OR DESCRIPTION	MATERIAL SPECIFICATION	NOTES
PARTS LIST					
DOCUMENT CONTROL STAMP			TRACKING NO. N/A		United States Department of Energy
MATERIAL NOTED			APPROVALS		Jefferson Lab Thomas Jefferson National Accelerator Facility Newport News Virginia
FINISH MACHINED SURFACES DEBURR & BREAK ALL SHARP EDGES			DATE 06/16/11		HALL C SHMS HEAVY GAS CERENKOV FORWARD FOOT
DO NOT SCALE DRAWING			DRAWN FURCHES		REV. -
			CHECKED		SIZE D
			APPROVED		DWG. NO. 67165-00055
			APPROVED		SCALE NONE
			USED ON ASSY NO. 67165-00050		SHEET 1 OF 1

