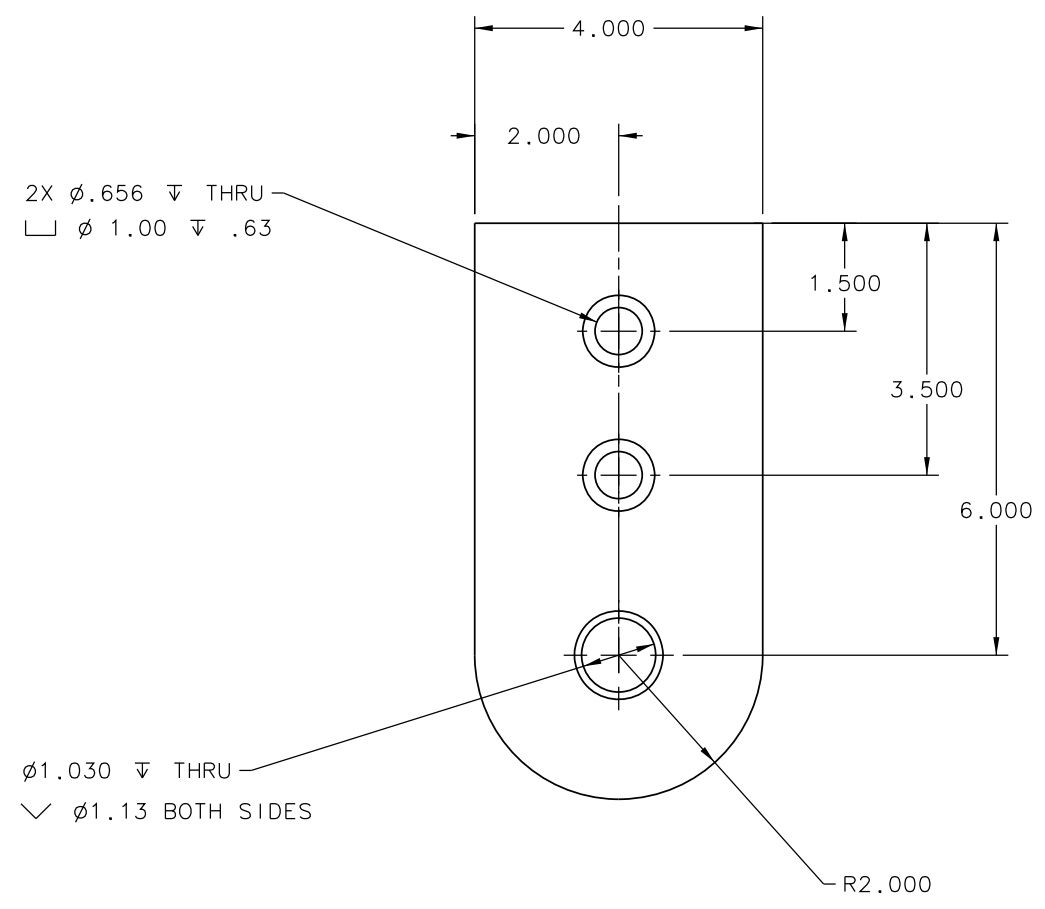
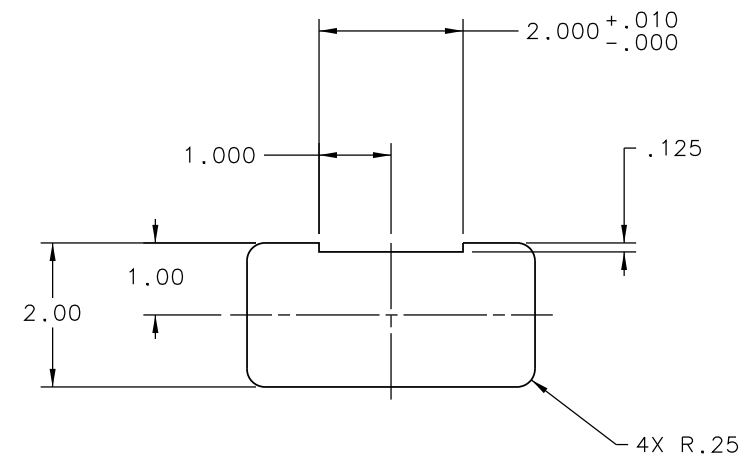


REVISION HISTORY				
ZONE	REV	DESCRIPTION	DATE	APPROVED



1	1	-	AFT FOOT	STAINLESS STEEL	-
QTY REQD	ITEM NO.	PART OR IDENTIFYING NO.	NOMENCLATURE OR DESCRIPTION	MATERIAL SPECIFICATION	NOTES
PARTS LIST					
DOCUMENT CONTROL STAMP		DIM & TOL PER ASME Y14.5 UNLESS OTHERWISE SPECIFIED DIMENSIONS ARE IN INCHES TOLERANCES ARE: FRACTIONS DECIMAL ANGLES $\pm$ N/A .X $\pm$ .1 $\pm$ .50° .XX $\pm$ .01 .XXX $\pm$ .005		TRACKING NO. N/A	
MATERIAL NOTED		THIRD ANGLE PROJECTION		APPROVALS DATE	
FINISH MACHINED SURFACES DEBURR & BREAK ALL SHARP EDGES		125 UNLESS OTHERWISE NOTED		DRAWN FURCHES 06/16/11	
DO NOT SCALE DRAWING				CHECKED	
				APPROVED	
				APPROVED	
			United States Department of Energy <b>Jefferson Lab</b> <small>Thomas Jefferson National Accelerator Facility</small> Newport News Virginia		
			HALL C SHMS HEAVY GAS CERENKOV AFT FOOT		
			SIZE DWG. NO. <b>D</b> 67165-00054		REV. -
			SCALE NONE USED ON ASSY NO. 67165-00050		SHEET 1 OF 1