

8

7

6

5

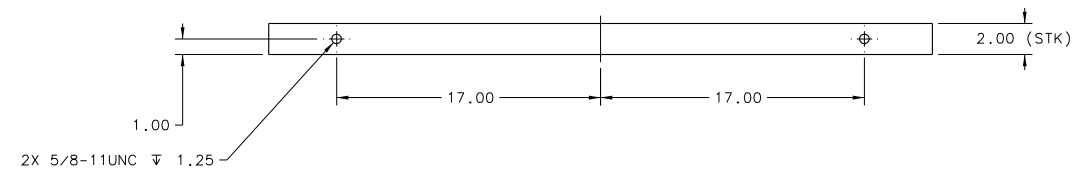
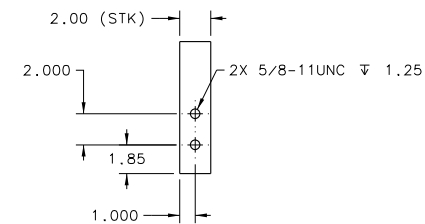
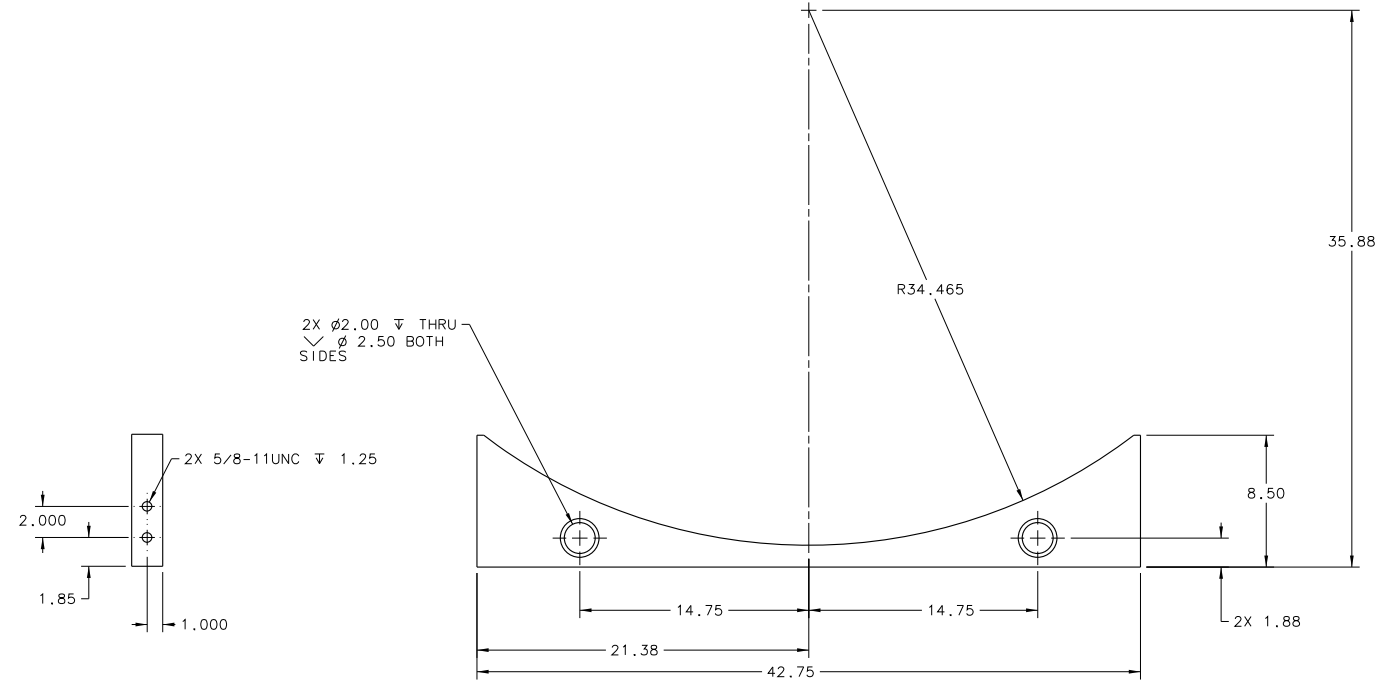
4

3

2

1

| REVISION HISTORY | | | |
|------------------|-----|-------------|------|
| ZONE | REV | DESCRIPTION | DATE |
| | | | |



| | | | | | | | | | |
|---|------|---|--|---|--|------------------------------------|--|-------------|--|
| 1 | | - | | RIB | | ALUMINUM | | - | |
| QTY | ITEM | PART OR IDENTIFYING NO. | | NOMENCLATURE OR DESCRIPTION | | MATERIAL SPECIFICATION | | NOTES | |
| PARTS LIST | | | | | | | | | |
| EACH SHEET OF MULTI-SHEET DRAWINGS SHALL ALWAYS HAVE THE SAME REVISION LEVEL. | | | | | | | | | |
| DOCUMENT CONTROL STAMP | | DATE & TIME PER ISSUE #1248 | | TRACKING NO. | | United States Department of Energy | | | |
| MATERIAL | | NOTED | | THIRD ANGLE PROJECTION | | APPROVALS | | DATE | |
| FINISH UNLESS OTHERWISE NOTED | | 120 | | UNLESS OTHERWISE SPECIFIED DIMENSIONS ARE IN INCHES | | DRAWN | | 06/16/11 | |
| DO NOT SCALE DRAWING | | UNLESS OTHERWISE NOTED SURFACES DEBUR & BREAK ALL SHARP EDGES | | FRACTIONS DECIMAL ANGLES | | CHECKED | | | |
| | | | | ± N/A .XX ± .01 .XXX ± .005 | | APPROVED | | | |
| | | | | | | APPROVED | | | |
| | | | | | | SCALE | | NONE | |
| | | | | | | SIZE DWG. NO. | | 67165-00053 | |
| | | | | | | REV. | | - | |
| | | | | | | SHEET | | 1 OF 1 | |

Jefferson Lab
 Newport News Virginia

HALL C
 SHMS
 HEAVY GAS CERENKOV
 RIB