

e

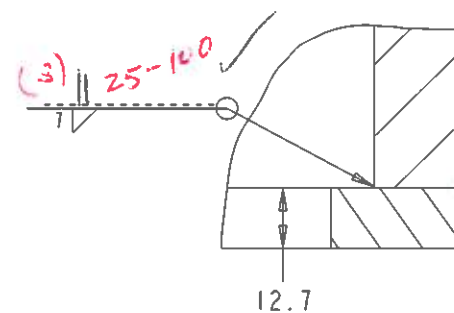
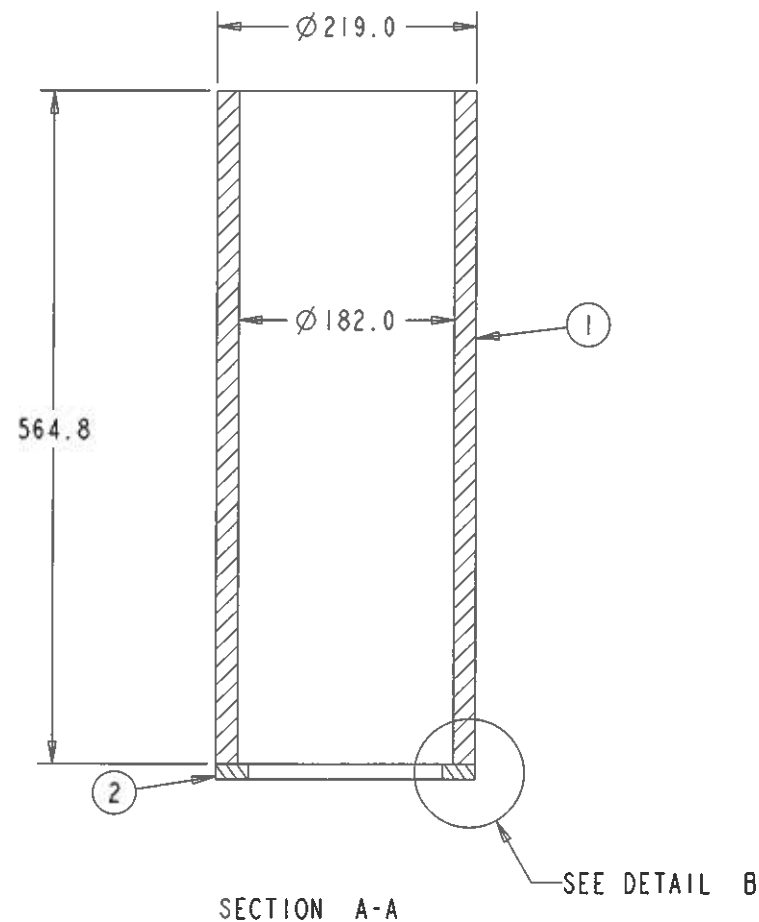
d

c

b

a

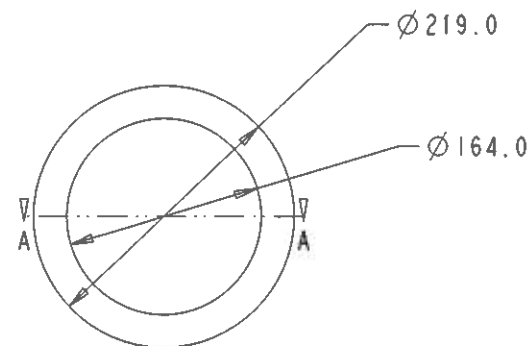
ITEM	DESCRIPTION	MATL	QUANTITY
1	Quartz Window Sleeve Pipe Long	ALUM	1
2	Quartz Window Sleeve Plate	ALUM	1



NOTES:

- 1. 1 WILL BE A 8" SCH 140 PIPE WITH ID BORED TO PROPER DIMENSION
- 2. 2 WILL BE MADE FROM AN ALUMINUM PLATE

*TYPE*  
*Level*



ALL DIMENSIONS IN mm UNLESS OTHERWISE SPECIFIED  
 TOLERANCES UNLESS OTHERWISE SPECIFIED:  
 FRACTIONAL DIMENSIONS  
 DECIMAL DIMENSIONS X ± .1 XX ± .05  
 ANGULAR DIMENSIONS ± 1'  
 SURFACE FINISH 32um

UNIVERSITY OF ALBERTA  
 EDMONTON ALBERTA CANADA

DESIGNED CHRIS NG TELEPHONE (780) 492 3095  
 DRAWN CHRIS NG FAX (780) 492 3408  
 CHECKED EMAIL: c.jng@ualberta.ca

APPROVED  
 DATE JAN 6, 2012

REF. DWGS.	REV.	DATE	REVISION	BY

CENTER OF PARTICLE PHYSICS

QUARTZ WINDOW SLEEVE LONG  
WELDED BEFORE MACHINING

SCALE 0.250 APPROVAL DWG. NO. REV.  
 DATE JAN 6, 2012 CHIEF ENGR

e

d

c

b

a