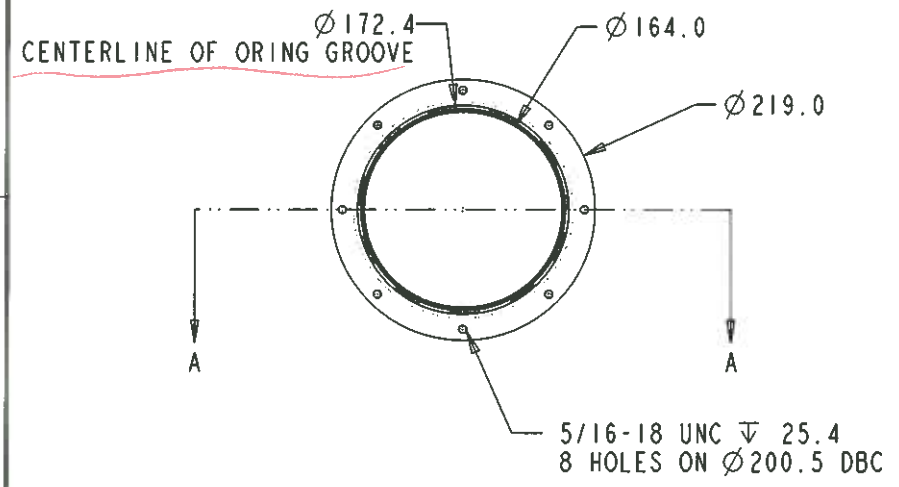
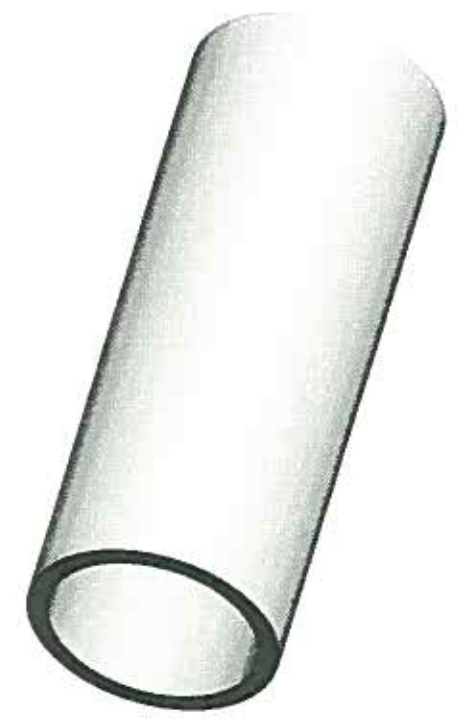
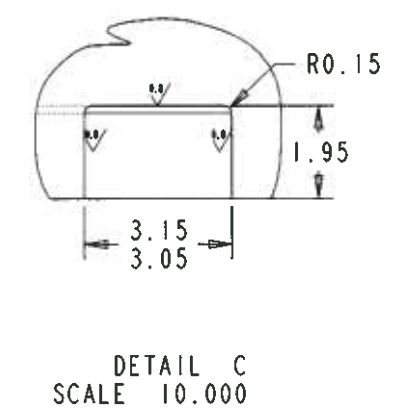
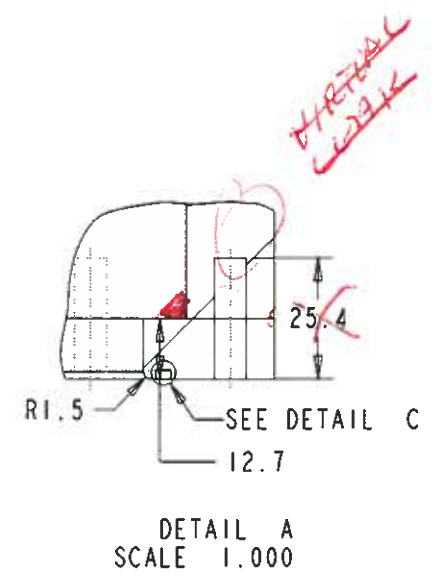
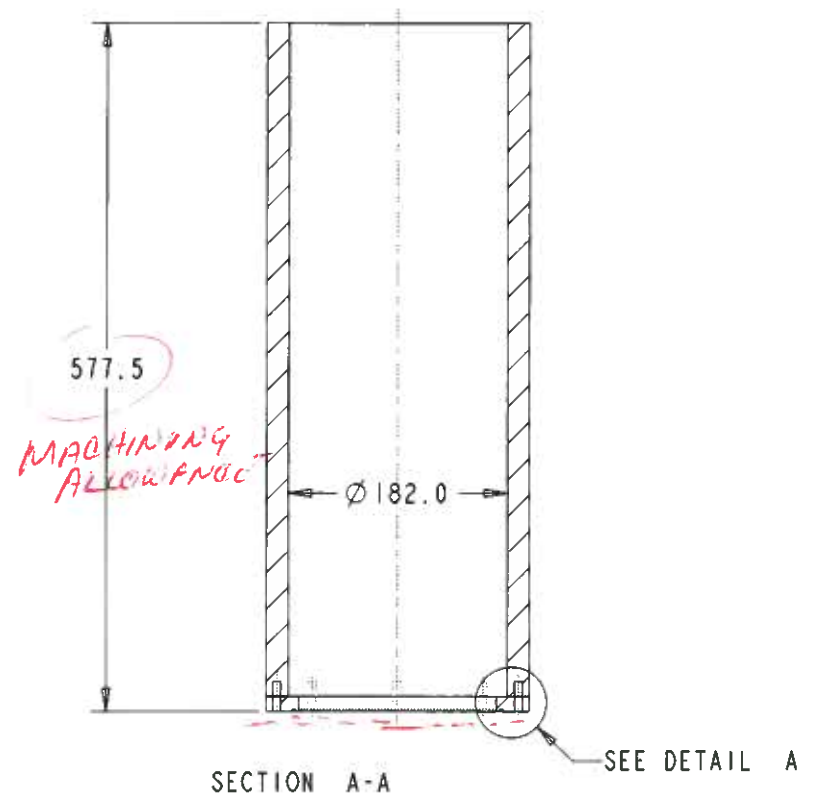


e d c b a

ITEM	DESCRIPTION	MATL	QUANTITY



- NOTES:
- O-ring Groove for AS568-166 Standard O-ring
 - Sealing surface must be free of burrs and scratches

JITON

ALL DIMENSIONS IN mm UNLESS OTHERWISE SPECIFIED
 TOLERANCES UNLESS OTHERWISE SPECIFIED:
 FRACTIONAL DIMENSIONS
 DECIMAL DIMENSIONS X ± .1 XX ± .05
 ANGULAR DIMENSIONS ± 1°
 SURFACE FINISH 32um

UNIVERSITY OF ALBERTA
 EDMONTON ALBERTA CANADA
 DESIGNED CHRIS NG TELEPHONE (780) 492 3095
 DRAWN CHRIS NG FAX (780) 492 3408
 CHECKED E-MAIL: cjng@ualberta.ca
 APPROVED

REF. DWGS.	REV.	DATE	REVISION	BY

CENTER OF PARTICLE PHYSICS
 QUARTZ WINDOW SLEEVE LONG
 SCALE 0.250 APPROVAL DWG. NO. REV.
 DATE JAN 9, 2012 CHIEF ENGR. 8

e d c b a