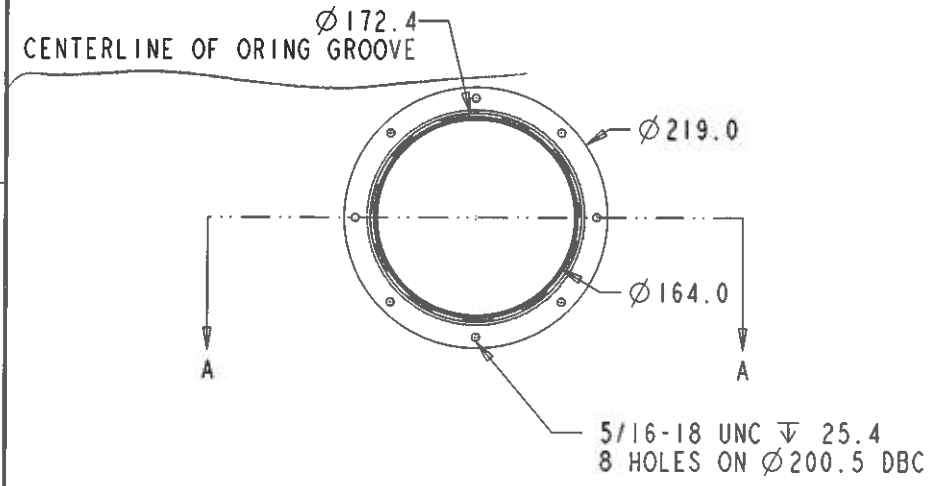


*VERIFY
MATERIAL?*



ITEM	DESCRIPTION	MATL	QUANTITY



- NOTES:
- O-ring Groove for AS568-166 Standard O-ring
 - Sealing surface must be free of burrs and scratches

ALL DIMENSIONS IN mm UNLESS OTHERWISE SPECIFIED
 TOLERANCES UNLESS OTHERWISE SPECIFIED:
 FRACTIONAL DIMENSIONS
 DECIMAL DIMENSIONS X ± .1 XX ± .05
 ANGULAR DIMENSIONS ± 1°
 SURFACE FINISH 32um

UNIVERSITY OF ALBERTA
 EDMONTON ALBERTA CANADA

DESIGNED CHRIS NG TELEPHONE (780) 492 3095
 DRAWN CHRIS NG FAX (780) 492 3408
 CHECKED EMAIL: c.jng@ualberta.ca

APPROVED

REF. DWGS.	REV.	DATE	REVISION	BY

CENTER OF PARTICLE PHYSICS

QUARTZ WINDOW SLEEVE

SCALE 0.250 APPROVAL DWG. NO. REV.
 DATE Jan 9, 2012 CHIEF ENGR. B