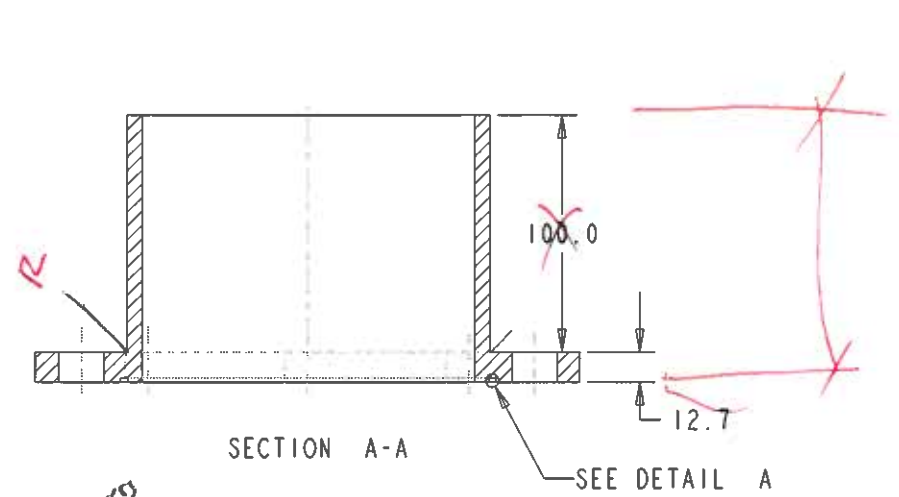
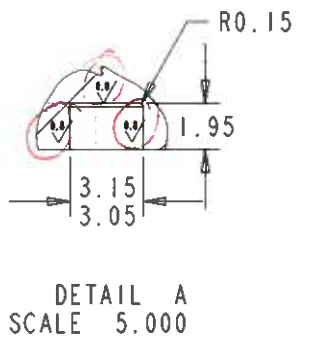


- MEASURE HOW?

BUY THIS?



*suggestion
break shape corners*



MATERIAL? low!

NOTES:

- O-ring Groove for AS568-163 Standard O-ring
- Sealing surface must be free of burrs and scratches

- VITON

ITEM	DESCRIPTION	MATL	QUANTITY

REF. DWGS.	REV.	DATE	REVISION	BY

ALL DIMENSIONS IN mm UNLESS OTHERWISE SPECIFIED
 TOLERANCES UNLESS OTHERWISE SPECIFIED:
 FRACTIONAL DIMENSIONS
 DECIMAL DIMENSIONS X ± .1 XX ± .05
 ANGULAR DIMENSIONS ± 1°
 SURFACE FINISH 32 Ra

UNIVERSITY OF ALBERTA
 EDMONTON ALBERTA CANADA

DESIGNED CHRIS NG TELEPHONE (780) 492 3095
 DRAWN CHRIS NG FAX (780) 492 3408
 CHECKED E-MAIL: cjang@ualberta.ca

APPROVED

CENTER OF PARTICLE PHYSICS

GAS PORT FLANGE

SCALE 0.500 APPROVAL DWG. NO. REV.
 DATE JAN 9, 2012 CHIEF ENGR. B