

e

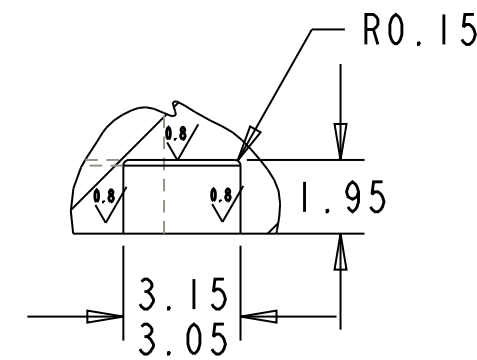
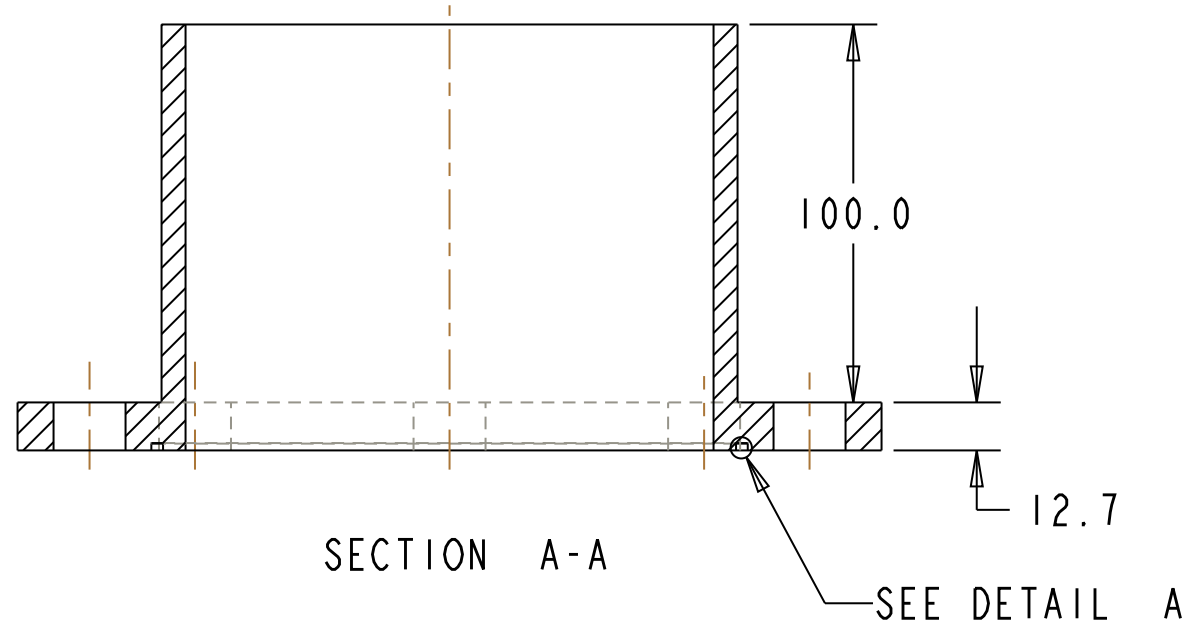
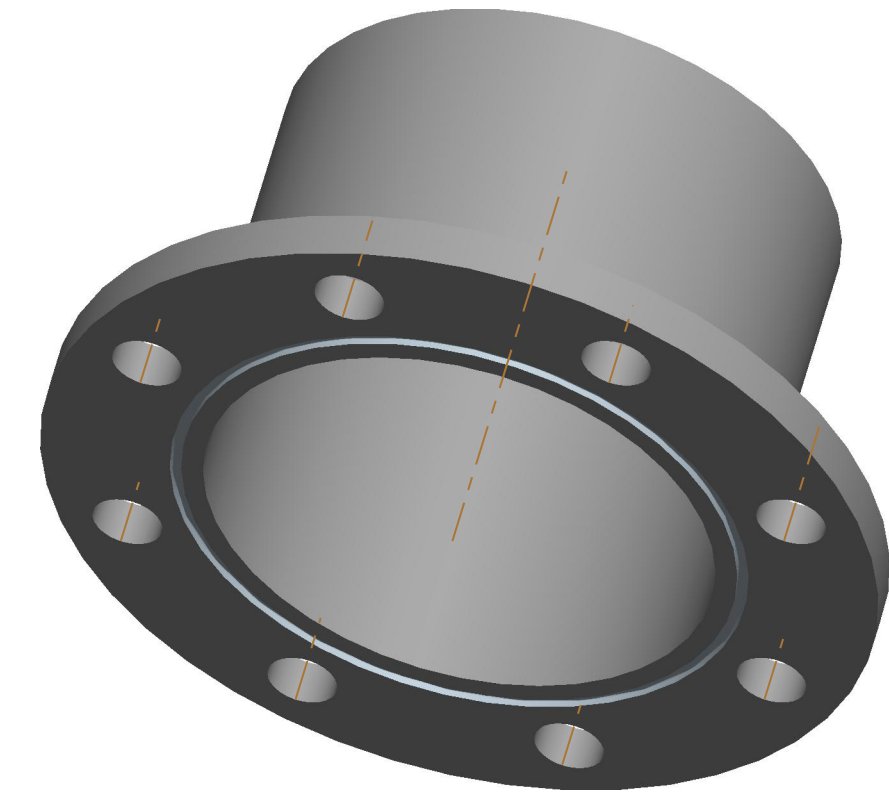
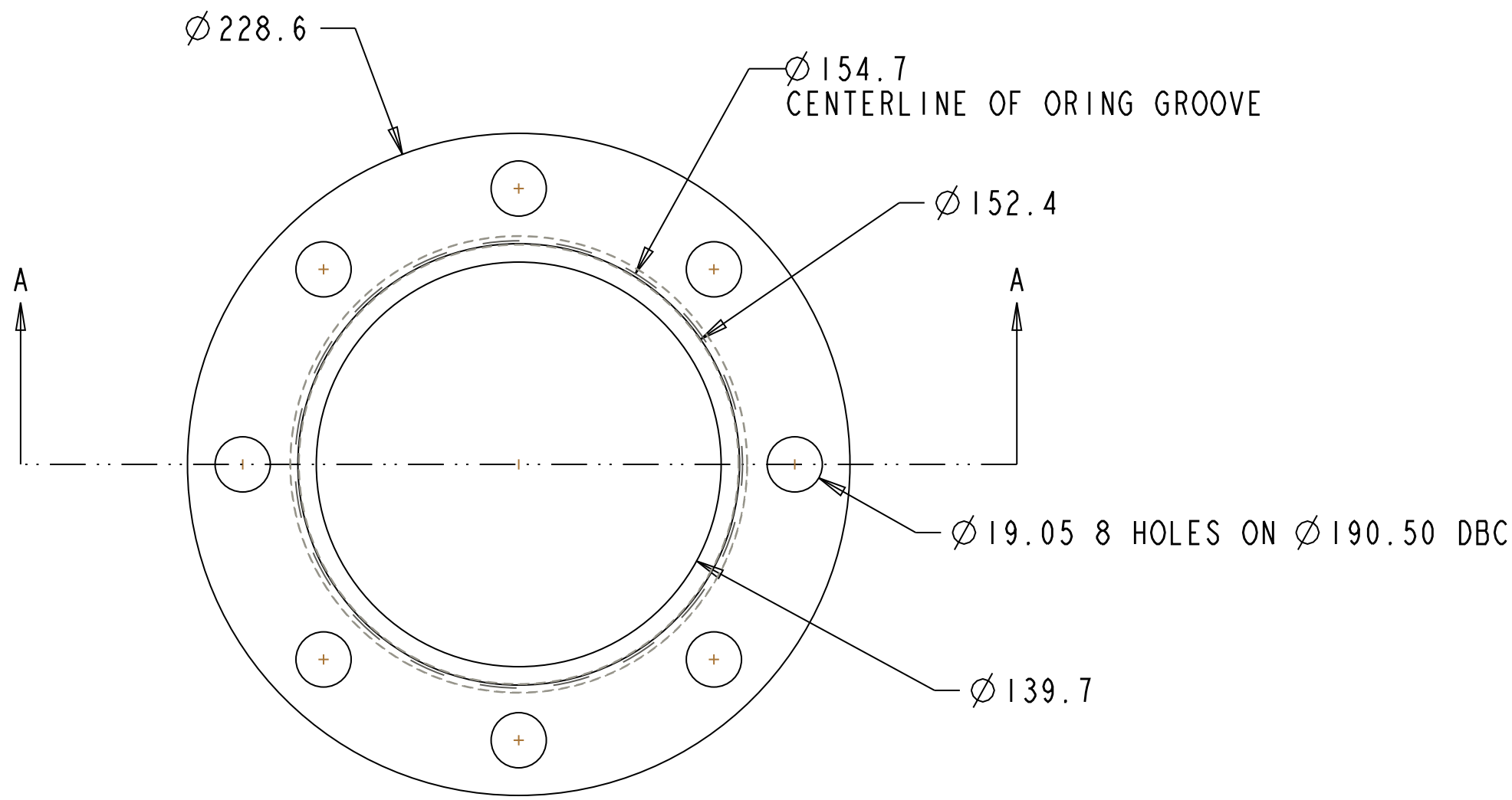
d

c

b

a

ITEM	DESCRIPTION	MAT'L	QUANTITY



DETAIL A  
SCALE 5.000

NOTES:

- O-ring Groove for AS568-163 Standard O-ring
- Sealing surface must be free of burrs and scratches

REF. DWGS.	REV.	DATE	REVISION	BY

ALL DIMENSIONS IN mm UNLESS OTHERWISE SPECIFIED  
 TOLERANCES UNLESS OTHERWISE SPECIFIED:  
 FRACTIONAL DIMENSIONS  
 DECIMAL DIMENSIONS X ± .1 XX ± .05  
 ANGULAR DIMENSIONS ± 1°  
 SURFACE FINISH 32µm

**UNIVERSITY OF ALBERTA**  
 EDMONTON ALBERTA CANADA

DESIGNED CHRIS NG TELEPHONE (780) 492 3095  
 DRAWN CHRIS NG FAX (780) 492 3408  
 CHECKED E-MAIL: cjng@ualberta.ca

APPROVED

**CENTER OF PARTICLE PHYSICS**

GAS PORT FLANGE

SCALE 0.500 APPROVAL DWG. NO. REV.  
 DATE JAN 9, 2012 CHIEF ENGR B

e

d

c

b

a