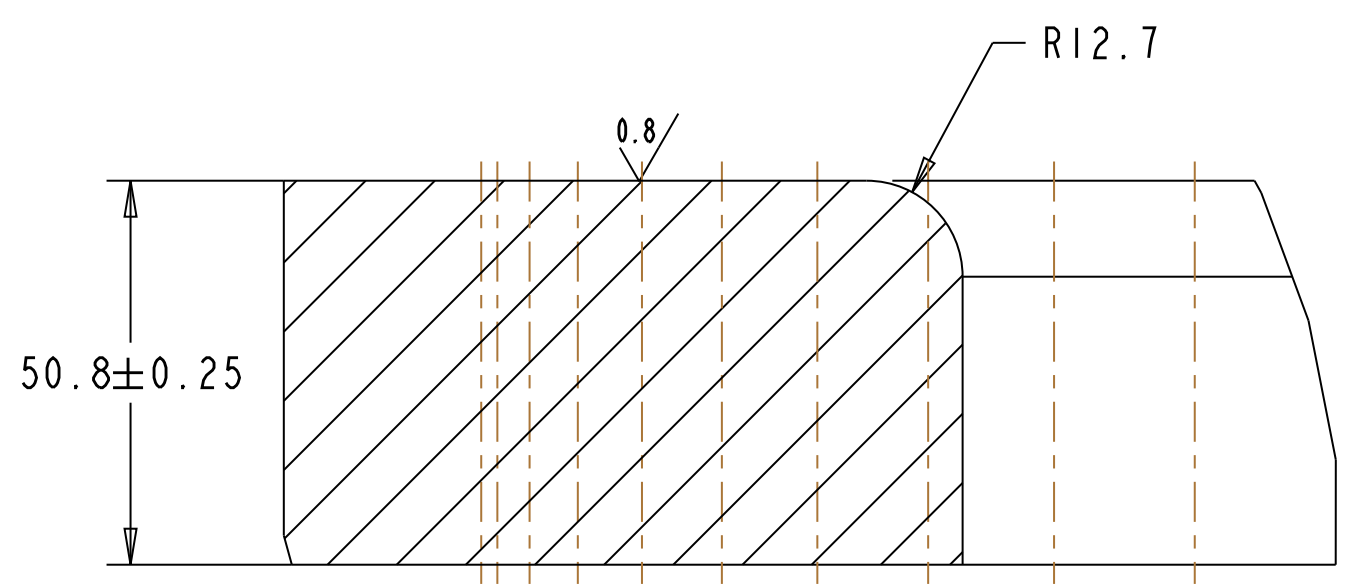
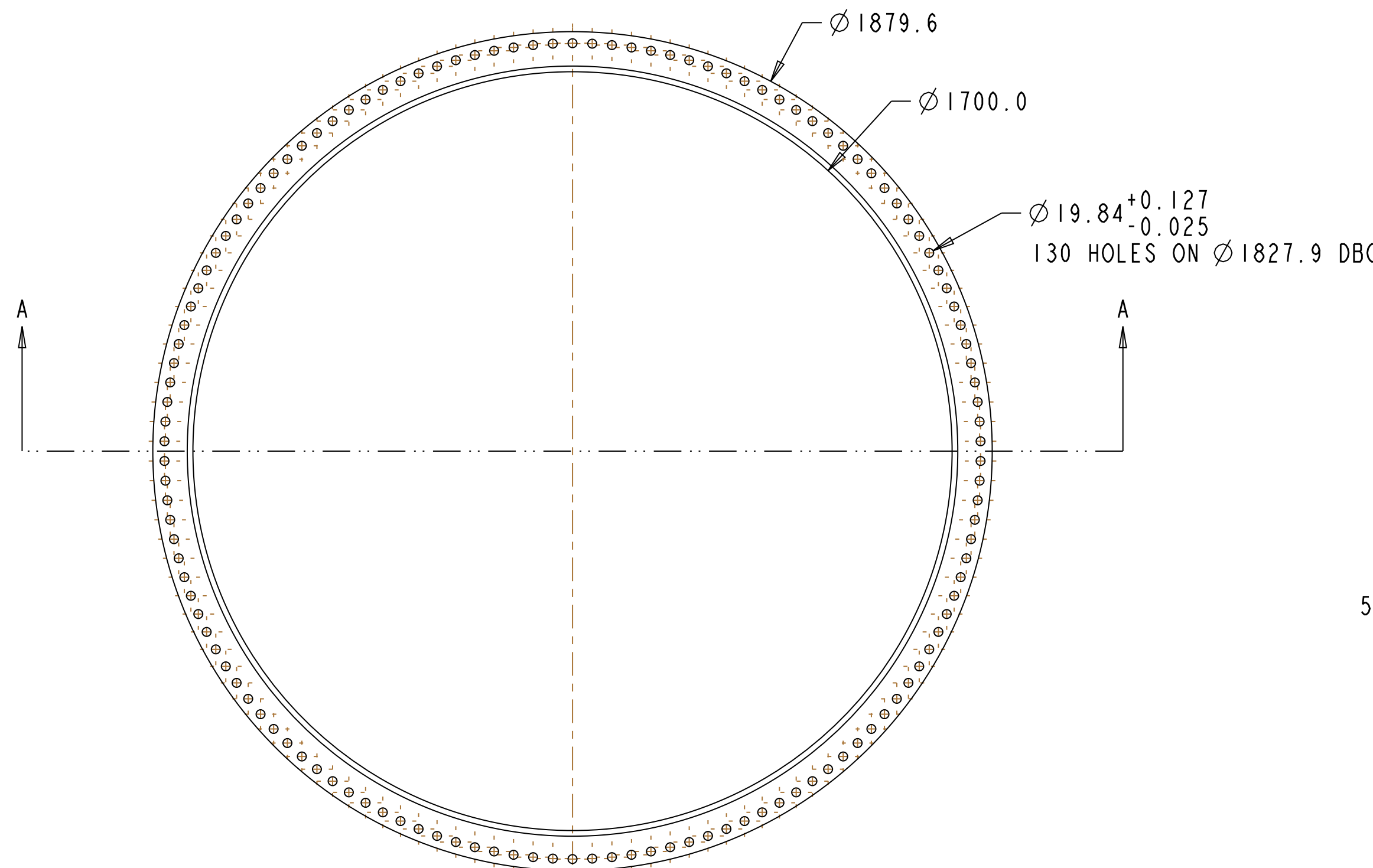
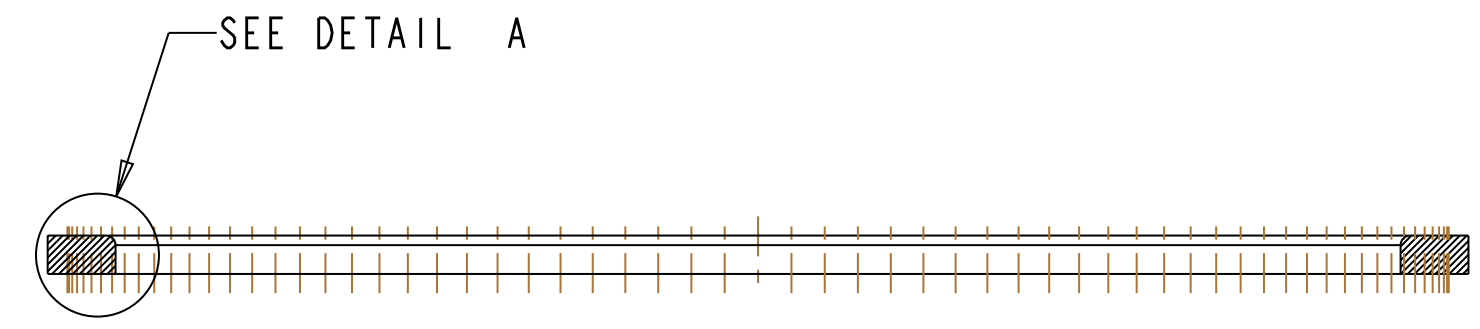


e d c b a

ITEM	DESCRIPTION	MAT'L	QUANTITY



DETAIL A  
SCALE 1.000



SECTION A-A

MATL: 2" ALUM 6061-T6 PLATE

ALL DIMENSIONS IN mm UNLESS OTHERWISE SPECIFIED  
 TOLERANCES UNLESS OTHERWISE SPECIFIED:  
 FRACTIONAL DIMENSIONS  
 DECIMAL DIMENSIONS XX ± 0.5  
 ANGULAR DIMENSIONS ± 0.5°  
 SURFACE FINISH MILL FINISH

**UNIVERSITY OF ALBERTA**  
 EDMONTON ALBERTA CANADA

DESIGNED CHRIS NG TELEPHONE (780) 492 5979  
 DRAWN CHRIS NG FAX (780) 492 3408  
 CHECKED E-MAIL: cjng@ualberta.ca

APPROVED

REF. DWGS.	REV.	DATE	REVISION	BY

**CENTER OF PARTICLE PHYSICS**

WINDOW CLAMP

SCALE 0.100	APPROVAL	DWG. NO	REV.
DATE APR 17, 2012	CHIEF ENGR		B

3

3

2

2

1

1

e d c b a