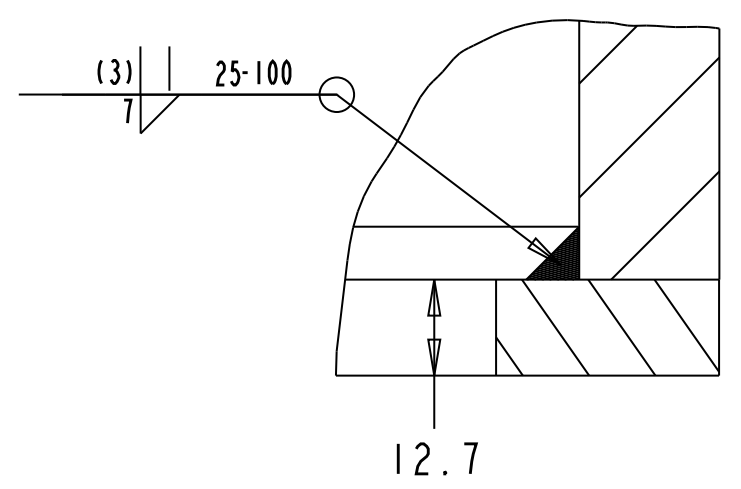
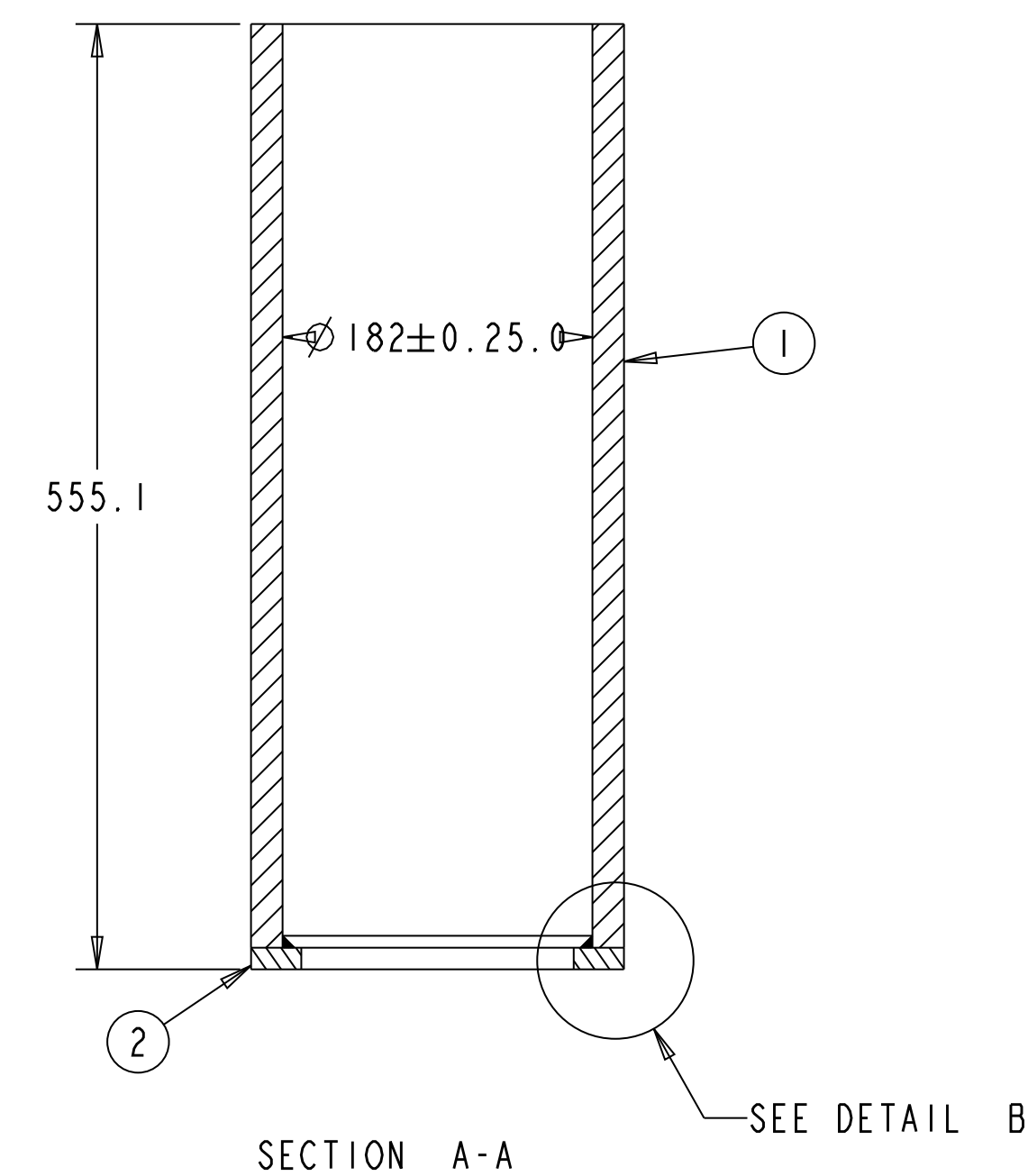


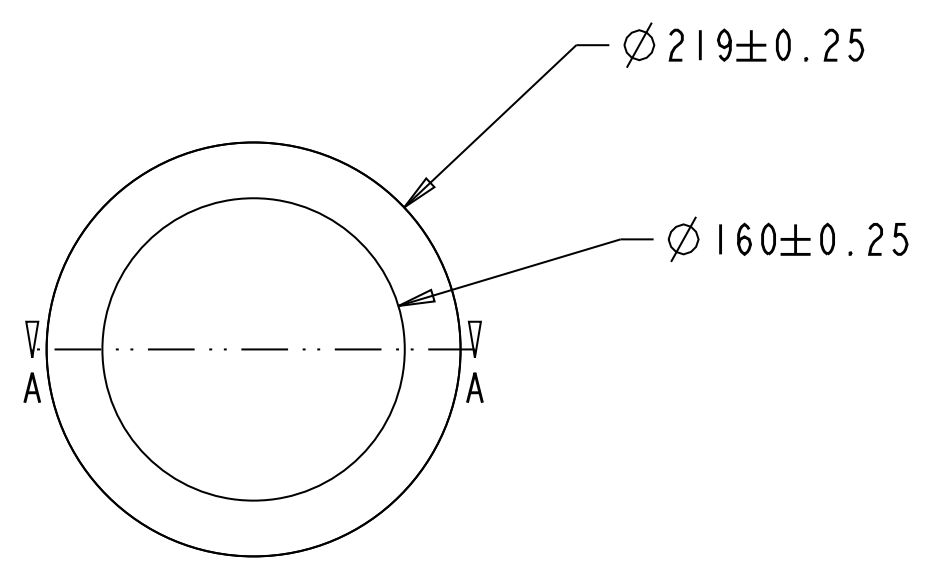
ITEM	DESCRIPTION	MAT'L	QUANTITY
1	Quartz Window Sleeve Pipe Long	ALUM	1
2	Quartz Window Sleeve Plate	ALUM	1



DETAIL B
SCALE 1.000

NOTES:

- 1 WILL BE A 8" SCH 140 ALUMINUM 6061 T-6 PIPE WITH ID BORED TO PROPER DIMENSION
- 2 WILL BE MADE FROM A 0.5" ALUMINUM 6061 T-6 PLATE



ALL DIMENSIONS IN mm UNLESS OTHERWISE SPECIFIED
 TOLERANCES UNLESS OTHERWISE SPECIFIED:
 FRACTIONAL DIMENSIONS
 DECIMAL DIMENSIONS X ± .1 XX ± .05
 ANGULAR DIMENSIONS ± 1°
 SURFACE FINISH 32um

REF. DWGS.	REV.	DATE	REVISION	BY

UNIVERSITY OF ALBERTA
 EDMONTON ALBERTA CANADA

DESIGNED CHRIS NG TELEPHONE (780) 492 5979
 DRAWN CHRIS NG FAX (780) 492 3408
 CHECKED E-MAIL: c.jng@ualberta.ca

APPROVED

CENTER OF PARTICLE PHYSICS

QUARTZ WINDOW SLEEVE LONG
 WELDED BEFORE MACHINING

SCALE 0.250 APPROVAL DWG. NO. REV.
 DATE MAR 1. 2012 CHIEF ENGR

3

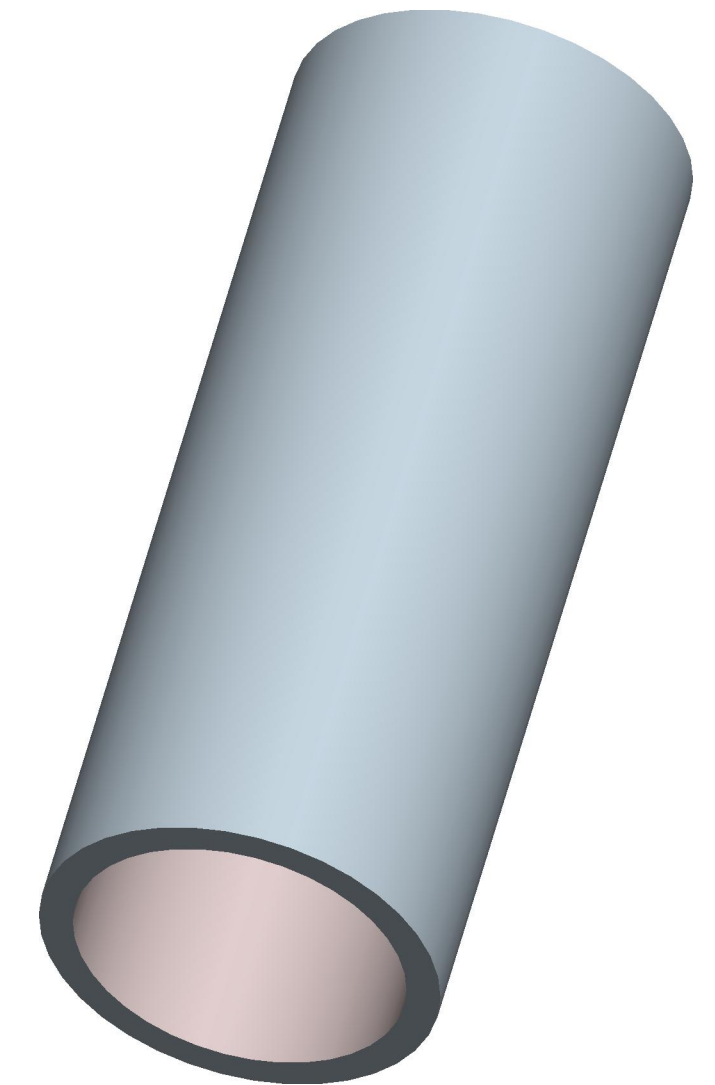
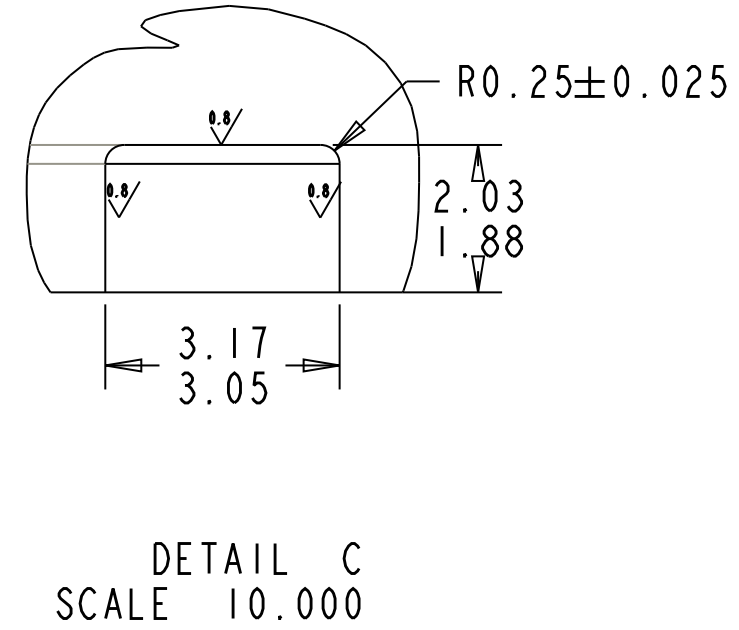
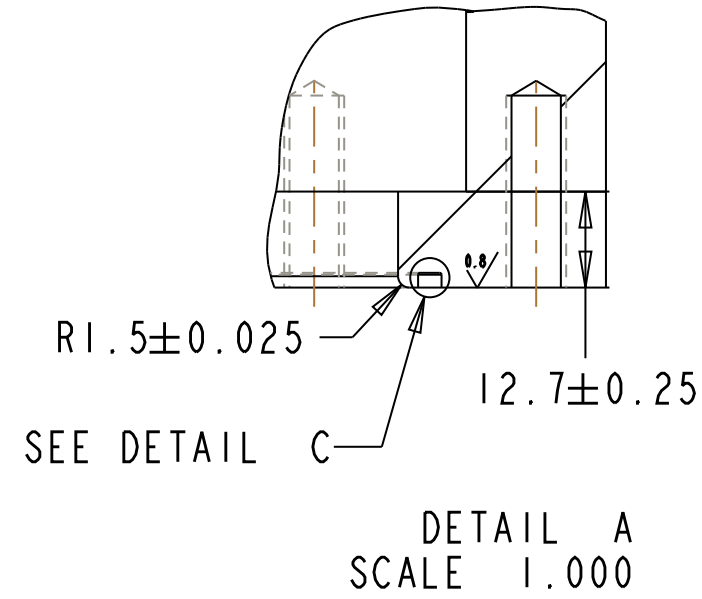
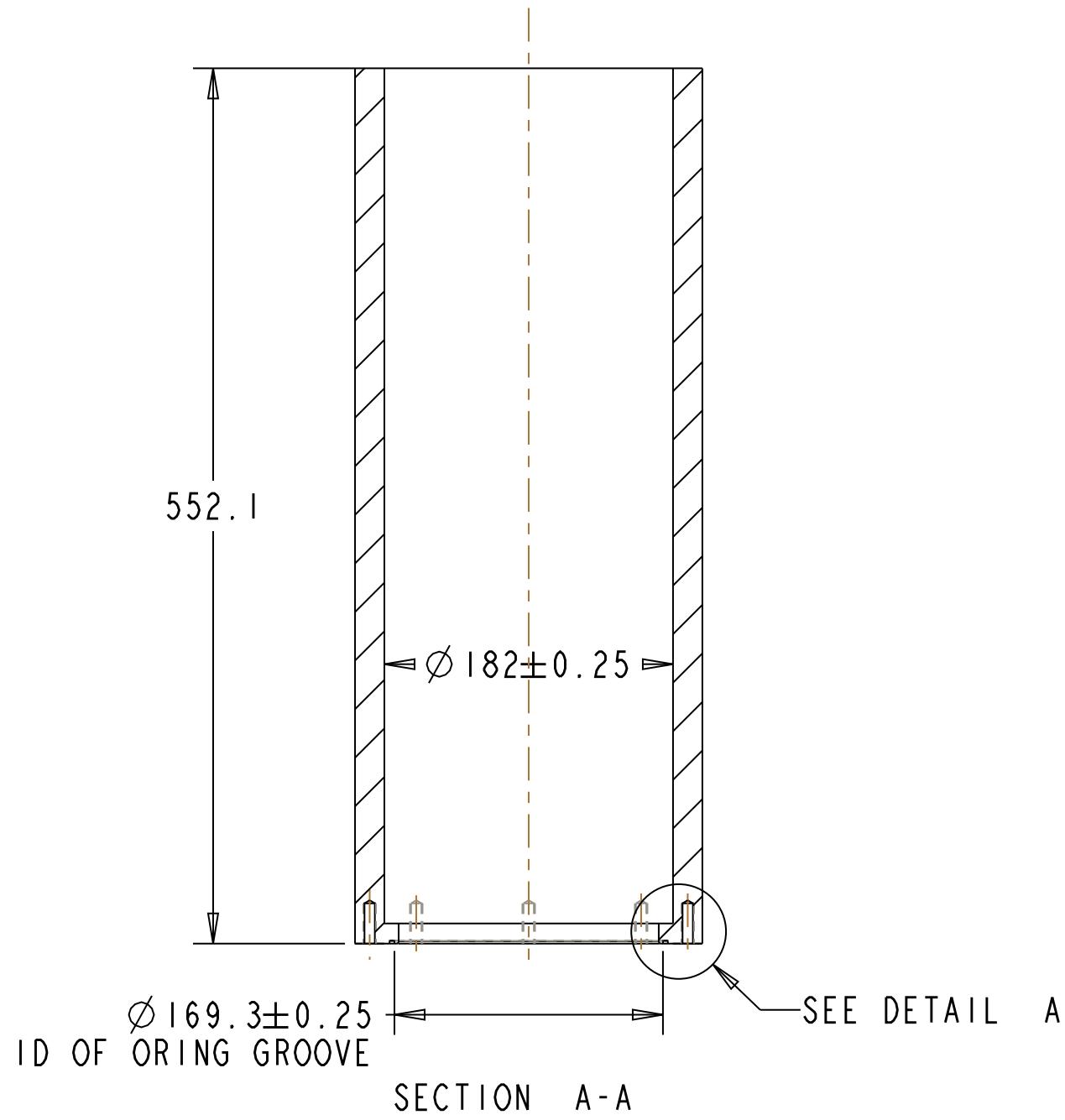
2

1

3

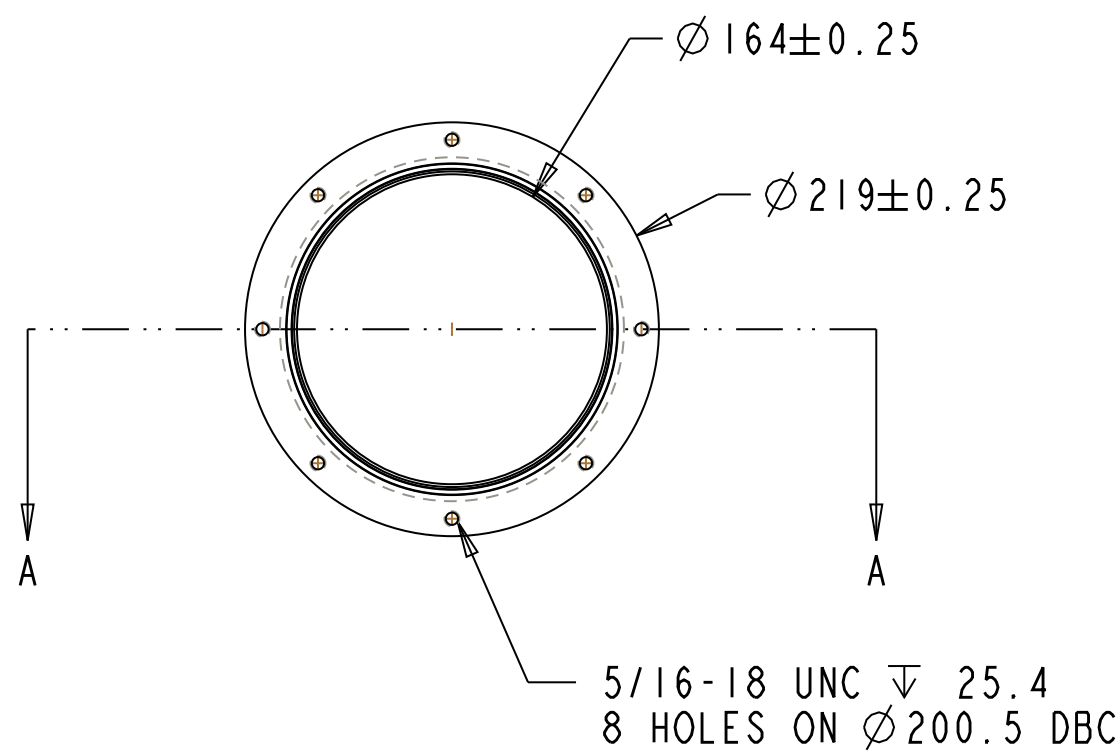
2

1



NOTES:

1. O-ring Groove for AS568-166 Standard Viton O-ring
2. Sealing surface must be free of burrs and scratches



ITEM	DESCRIPTION	MAT'L	QUANTITY

REF. DWGS.	REV.	DATE	REVISION	BY

ALL DIMENSIONS IN mm UNLESS OTHERWISE SPECIFIED
 TOLERANCES UNLESS OTHERWISE SPECIFIED:
 FRACTIONAL DIMENSIONS
 DECIMAL DIMENSIONS X ± .1 XX ± .05
 ANGULAR DIMENSIONS ± 1°
 SURFACE FINISH 32um

UNIVERSITY OF ALBERTA
 EDMONTON ALBERTA CANADA

DESIGNED CHRIS NG TELEPHONE (780) 492 5979
 DRAWN CHRIS NG FAX (780) 492 3408
 CHECKED E-MAIL: cjng@ualberta.ca

APPROVED

CENTER OF PARTICLE PHYSICS

QUARTZ WINDOW SLEEVE LONG

SCALE 0.250	APPROVAL	DWG. NO	REV.
DATE MAR 1, 2012	CHIEF ENGR		B