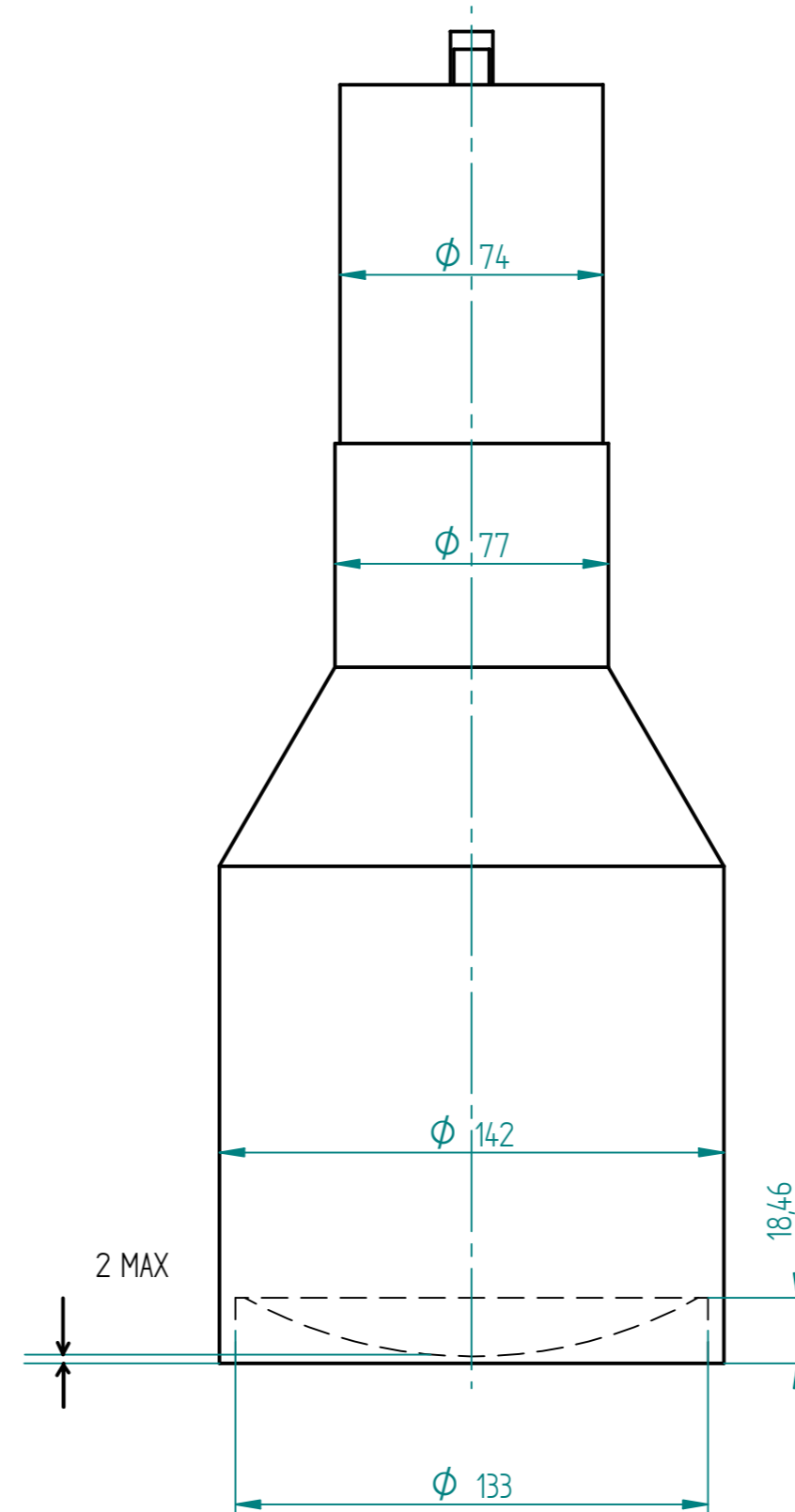
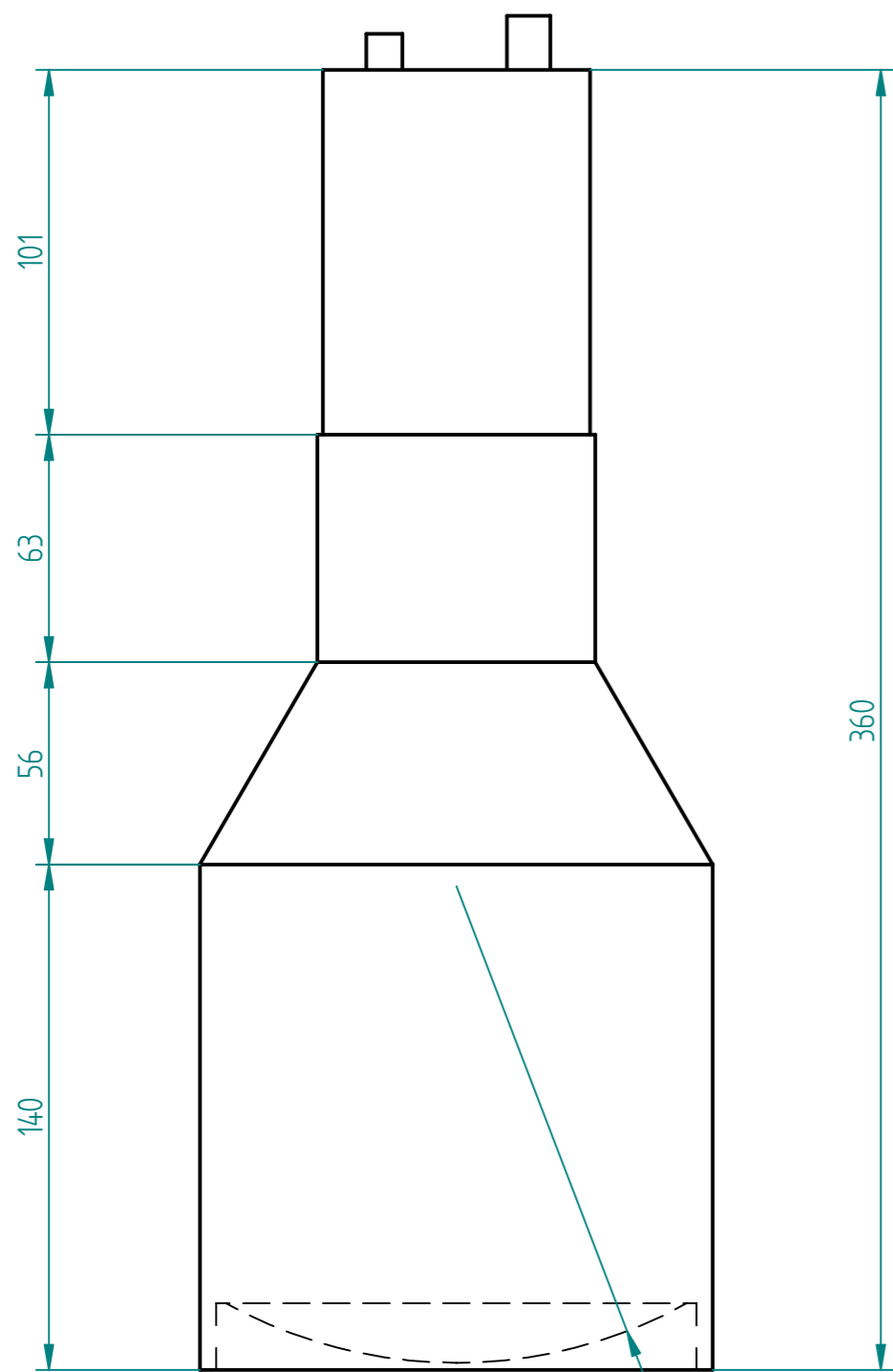
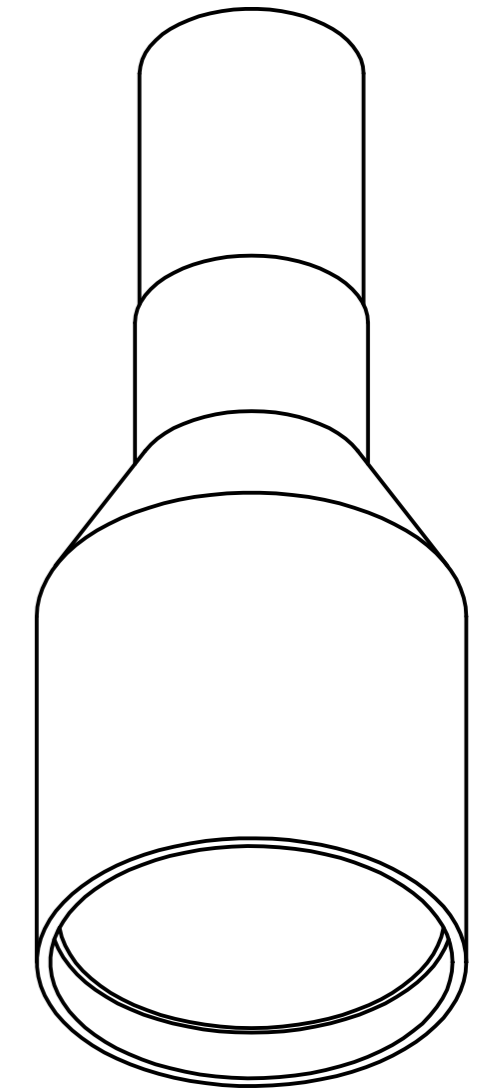
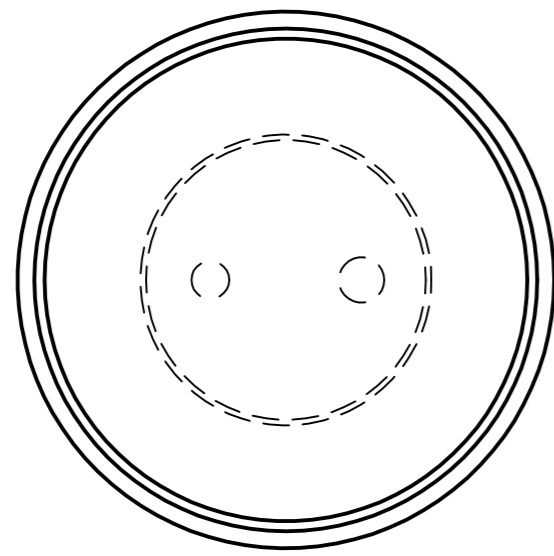


REVISION HISTORY			
REV	DESCRIPTION	DATE	APPROVED



	NAME	DATE	Solid Edge	
DRAWN	Lee SichelLo	05/17/10	TITLE	
CHECKED			PMT	
ENG APPR			SIZE	DWG NO
MGR APPR			A2	
UNLESS OTHERWISE SPECIFIED DIMENSIONS ARE IN MILLIMETERS ANGLES ±XX° 2 PL ±XXX 3 PL ±XXXX			FILE NAME:	REV
			pmt.dft	
			SCALE:	WEIGHT:
				SHEET 1 OF 1

SOLID EDGE ACADEMIC COPY