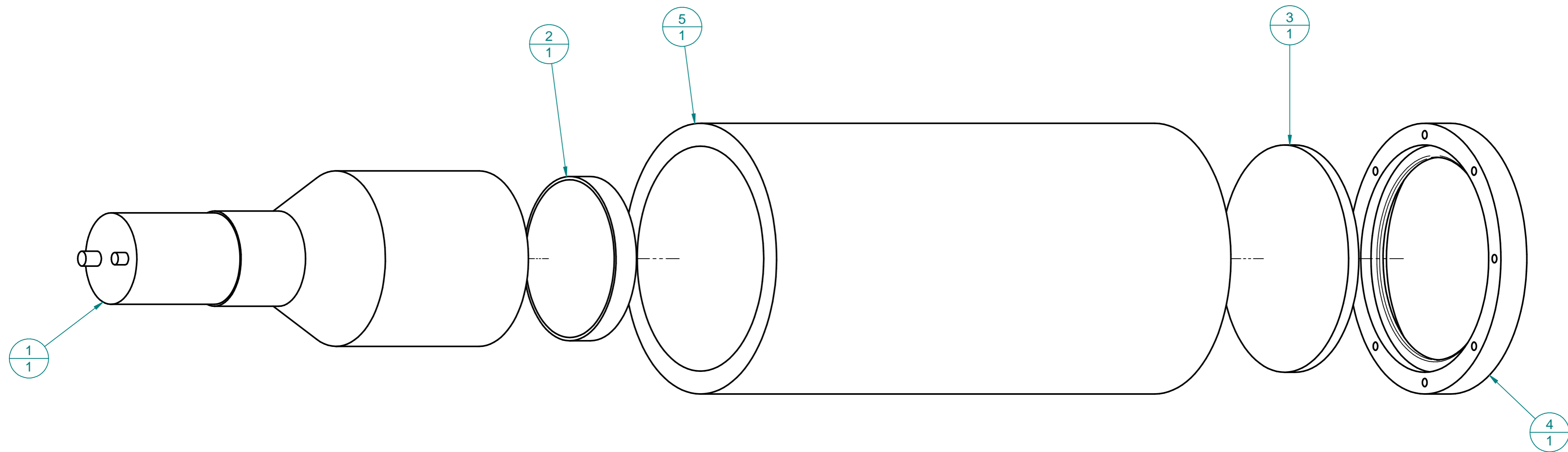


REVISION HISTORY			
REV	DESCRIPTION	DATE	APPROVED

Item Number	Title	Material	Quantity
1	PMT	Multiple	1
2	Convex Quartz Adapter	Quartz Glass	1
3	Quartz Window	Quartz Glass	1
4	Quartz Window Clamp	Aluminum	1
5	Quartz Window Sleeve	Aluminum	1



SOLID EDGE ACADEMIC COPY

	NAME	DATE	Solid Edge
DRAWN	Lee Sichel	02/19/11	
CHECKED			
ENG APPR			
MGR APPR			
UNLESS OTHERWISE SPECIFIED DIMENSIONS ARE IN MILLIMETERS ANGLES ±X.X° 2 PL ±X.XX 3 PL ±X.XXX			TITLE Quartz Window Assembly
SIZE	DWG NO	REV	
A2			FILE NAME: quartz_window_assembly.dwg
SCALE:	WEIGHT:	SHEET 1 OF 1	