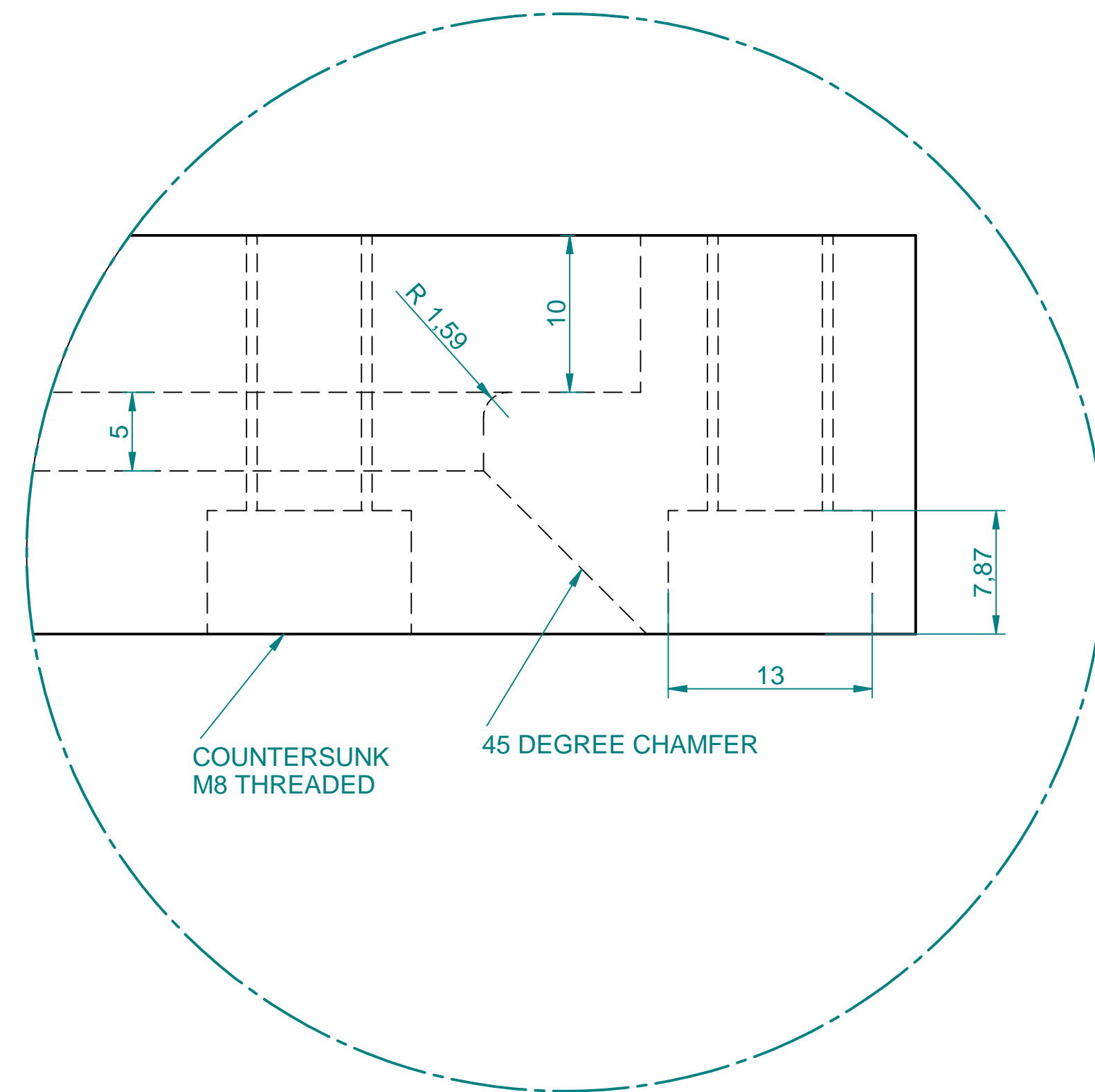
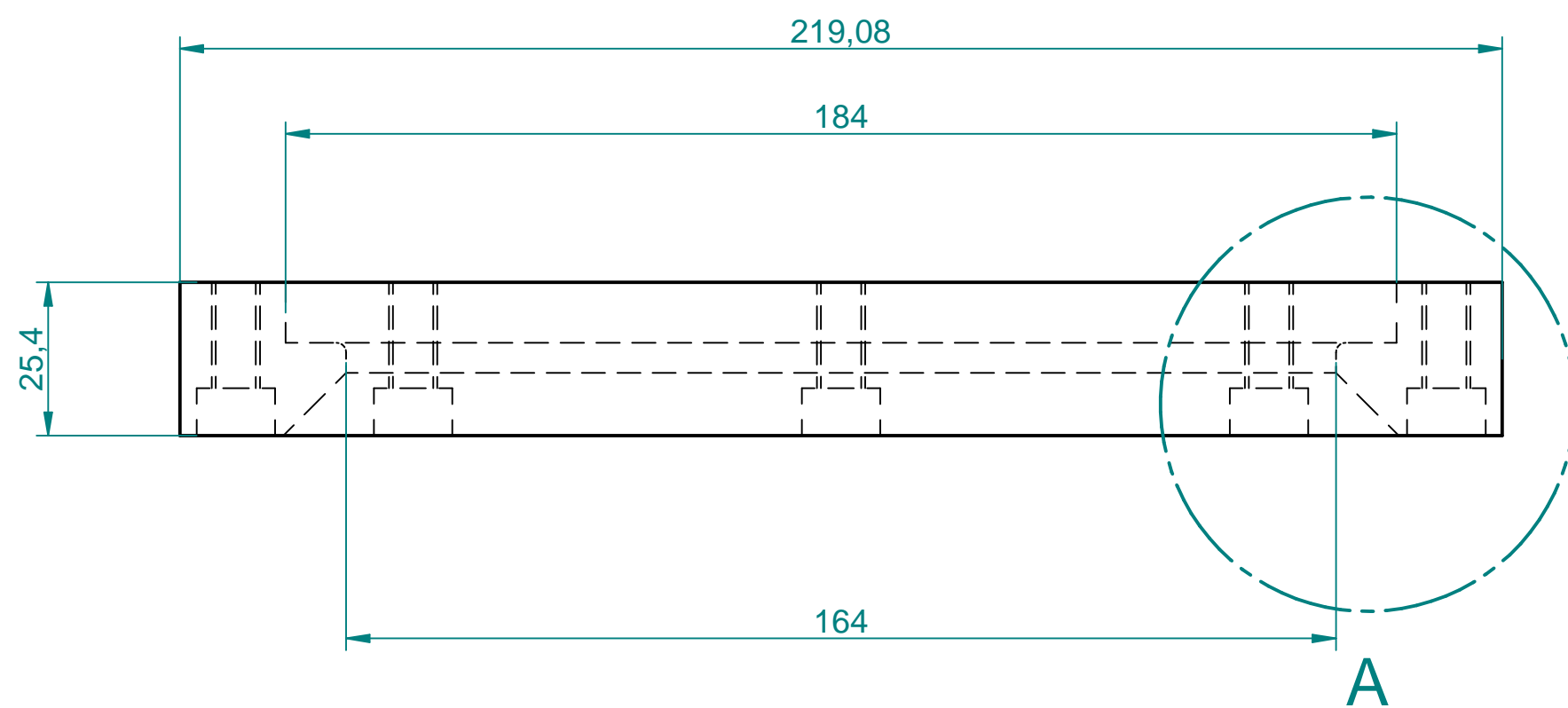
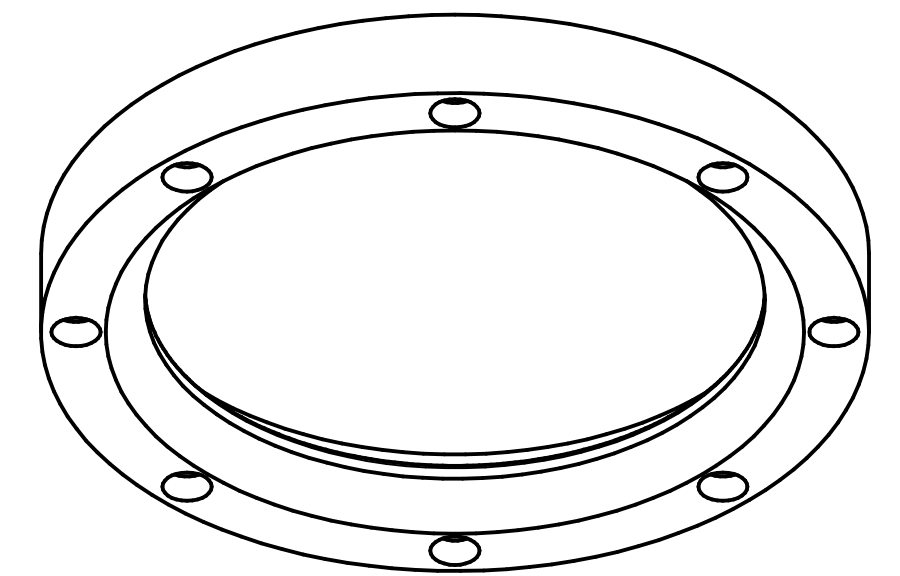
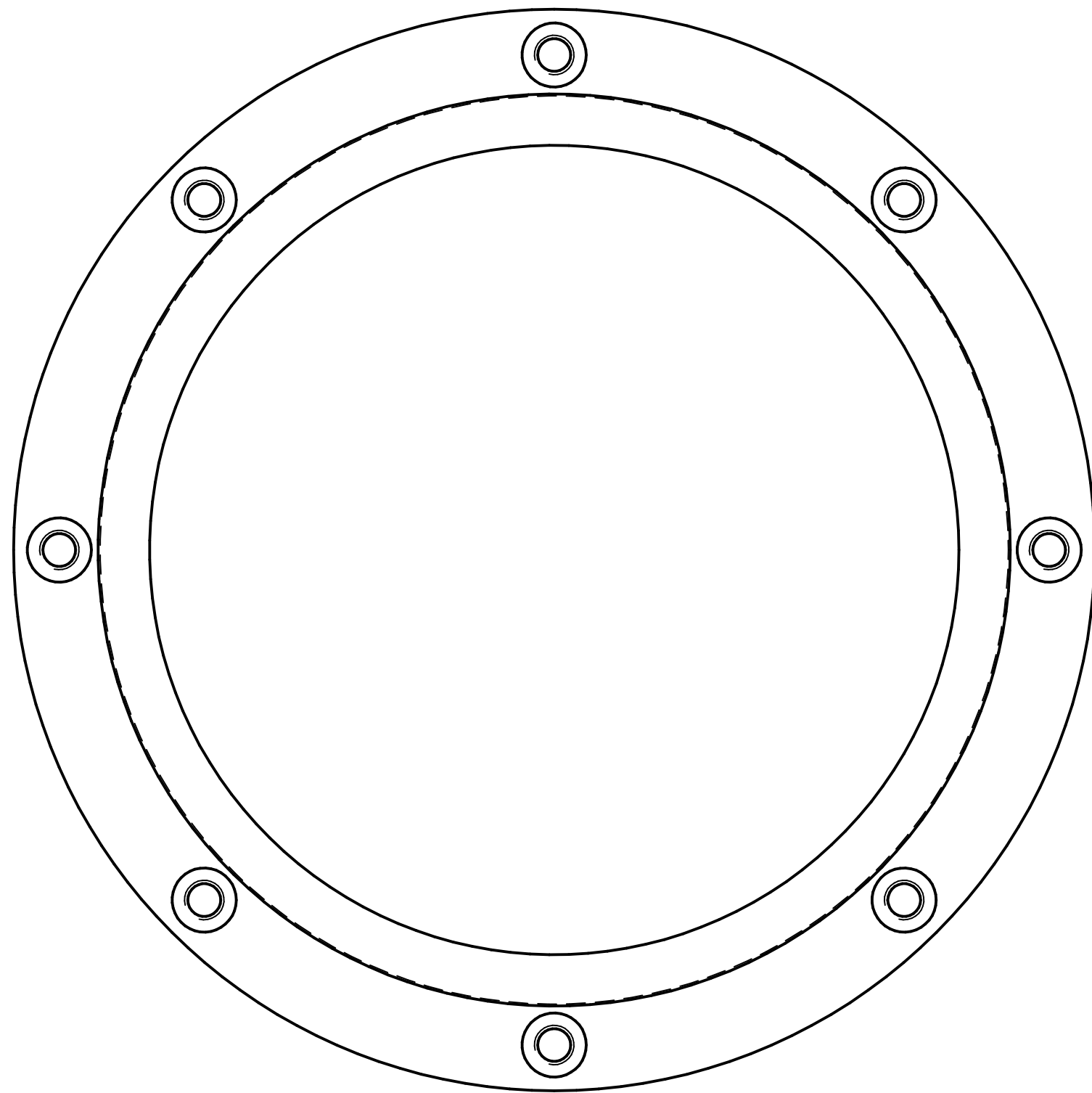


REVISION HISTORY			
REV	DESCRIPTION	DATE	APPROVED



DETAIL A

SOLID EDGE ACADEMIC COPY

	NAME	DATE	Solid Edge	
DRAWN	Lee Siche	02/17/11		
CHECKED			TITLE	
ENG APPR			Quartz Holder	
MGR APPR			UNLESS OTHERWISE	
SPECIFIED DIMENSIONS ARE IN MILLIMETERS ANGLES ±X.X°			SIZE DWG NO	REV
2 PL ±X.XX 3 PL ±X.XXX			A2	
			FILE NAME: quartz_holder.dft	
			SCALE: WEIGHT:	SHEET 1 OF 1