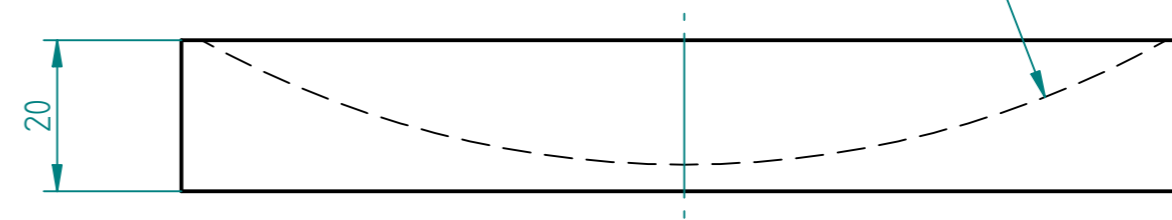
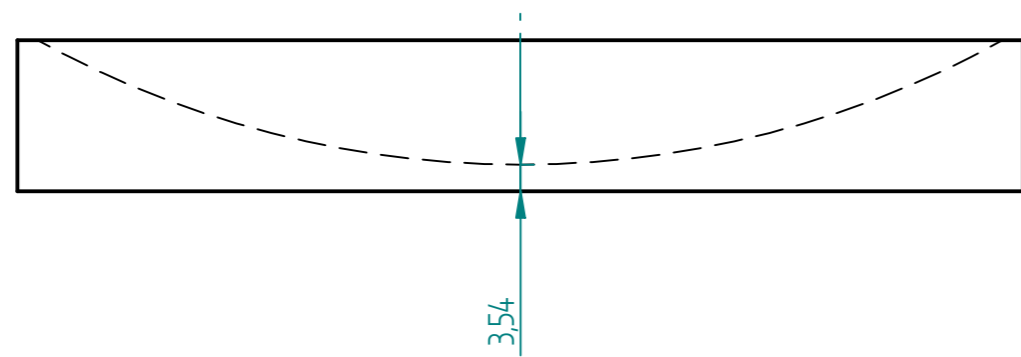
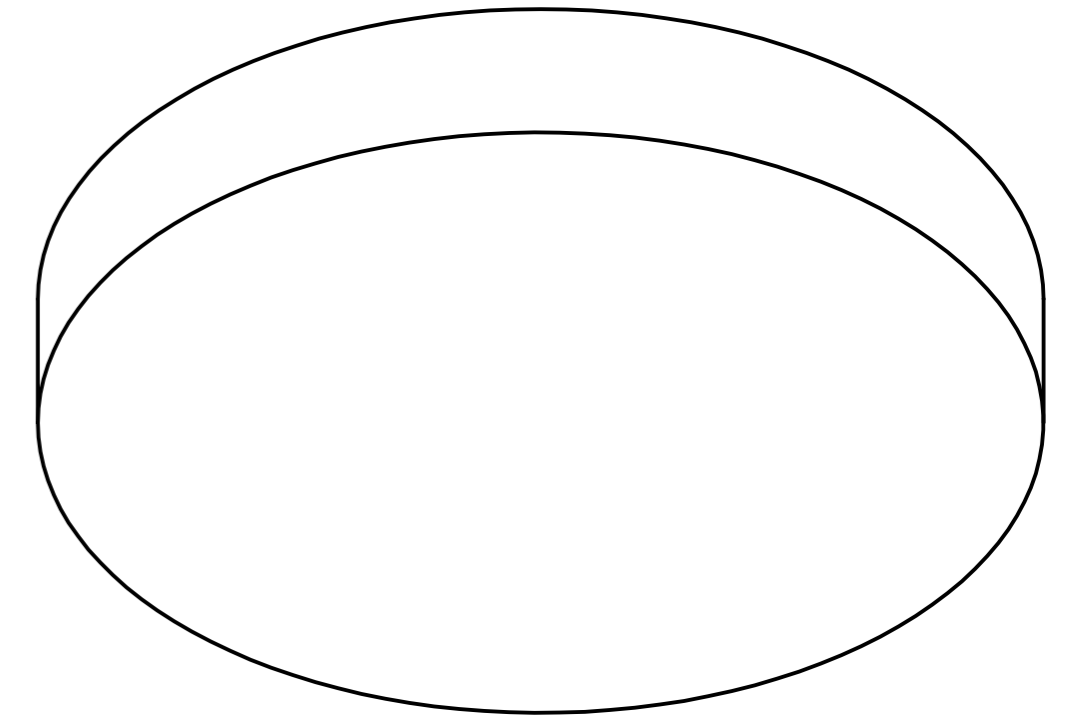
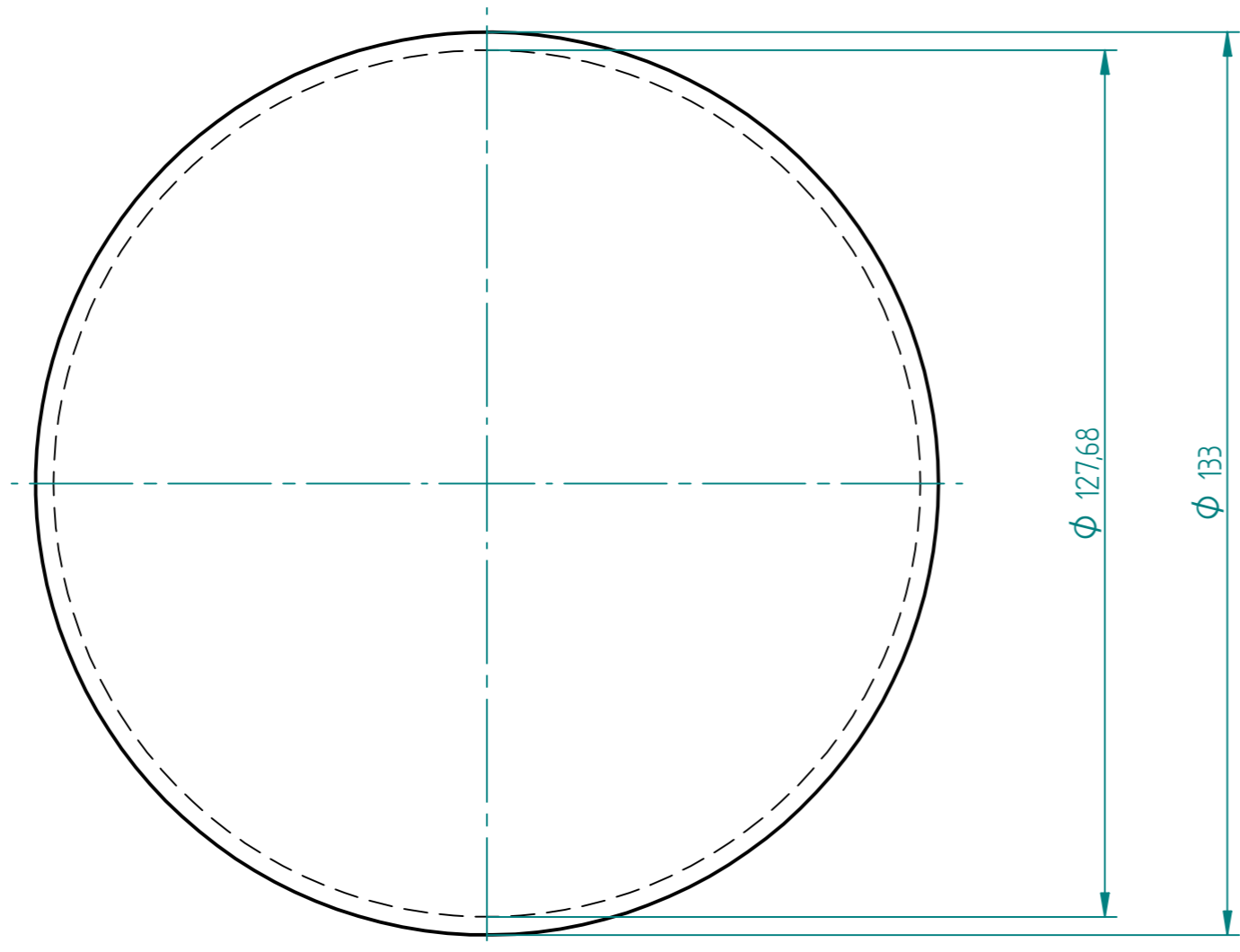


REVISION HISTORY			
REV	DESCRIPTION	DATE	APPROVED



SOLID EDGE ACADEMIC COPY

	NAME	DATE	Solid Edge		
DRAWN	Lee SichelLo	06/07/10			
CHECKED			TITLE Quartz Adapter		
ENG APPR					
MGR APPR			SIZE A2	DWG NO	REV
UNLESS OTHERWISE SPECIFIED DIMENSIONS ARE IN MILLIMETERS ANGLES ±XX° 2 PL ±XXX 3 PL ±XXXX			FILE NAME: quartz_adapter.dft		
	SCALE:	WEIGHT:	SHEET 1 OF 1		