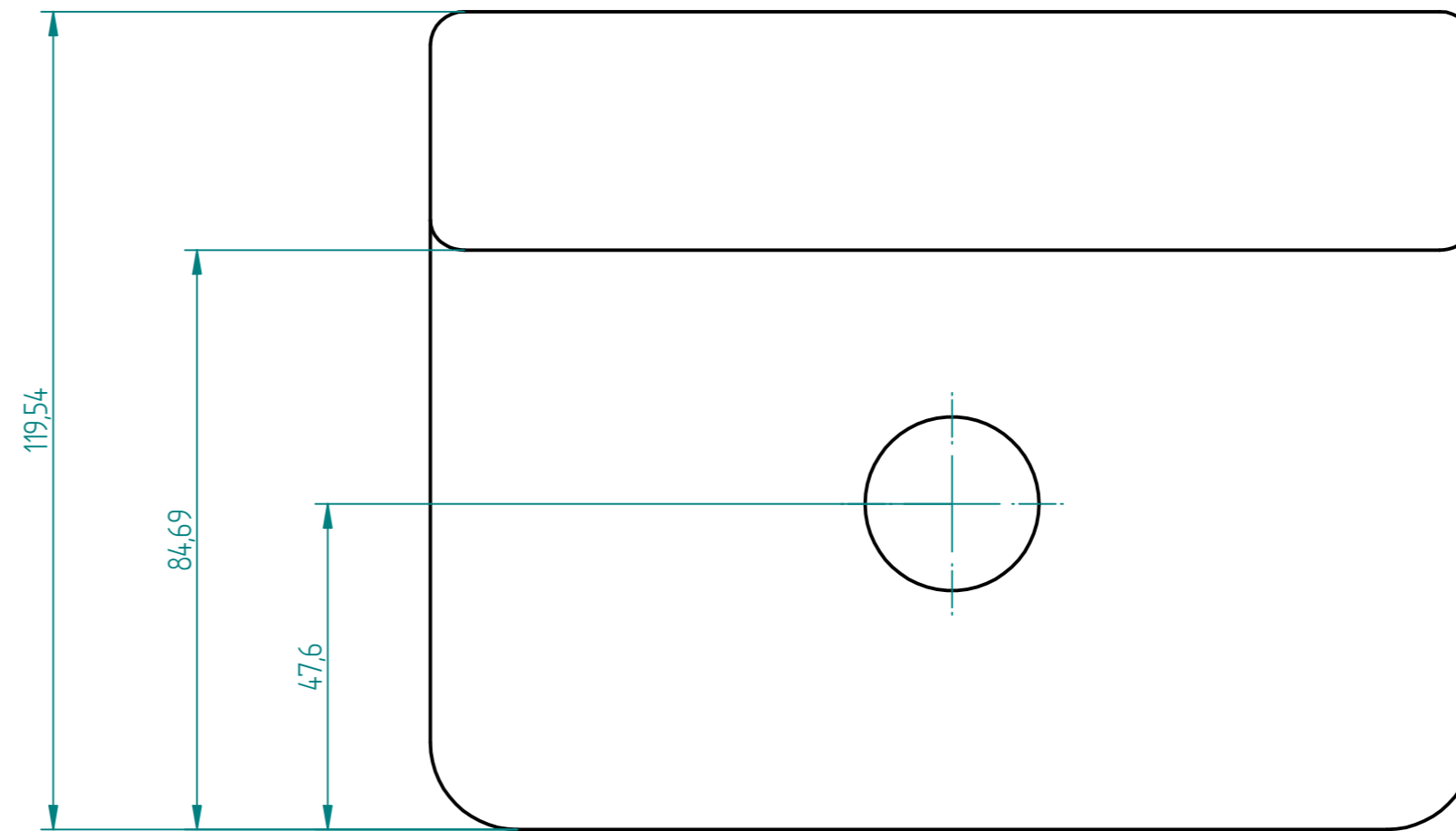
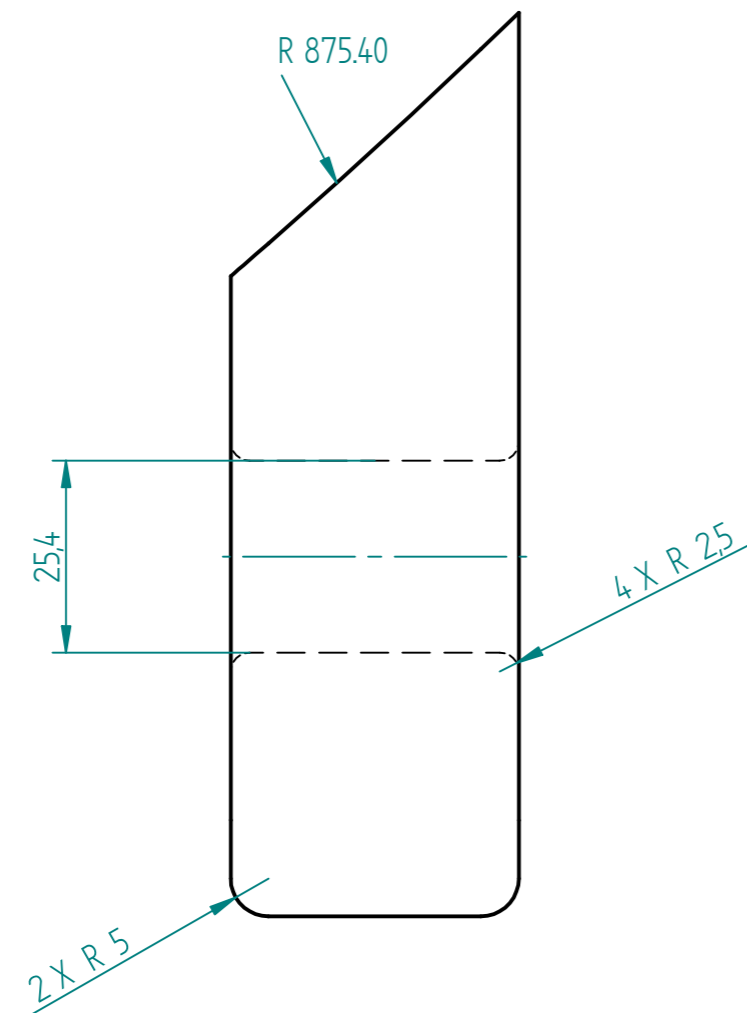
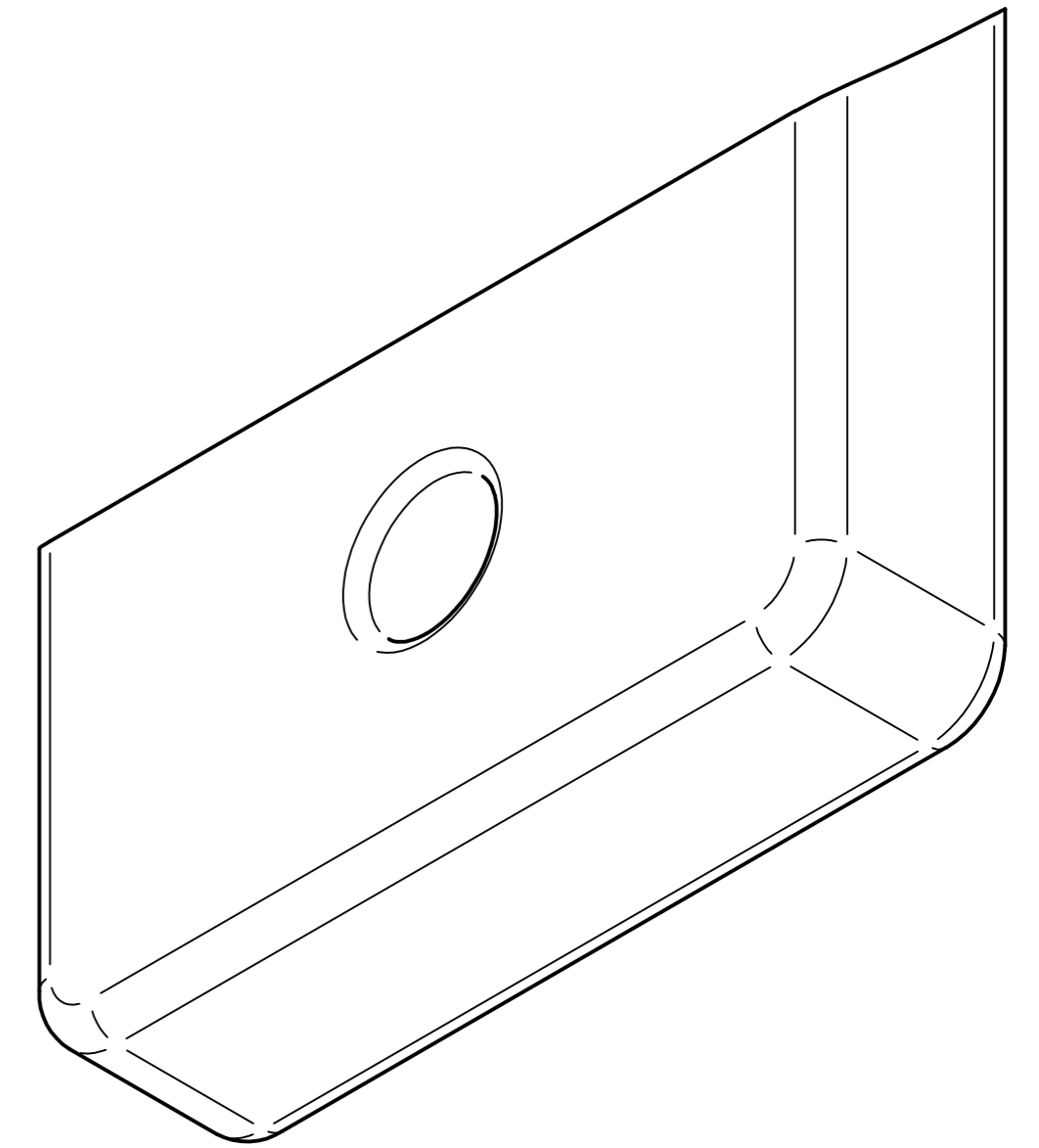
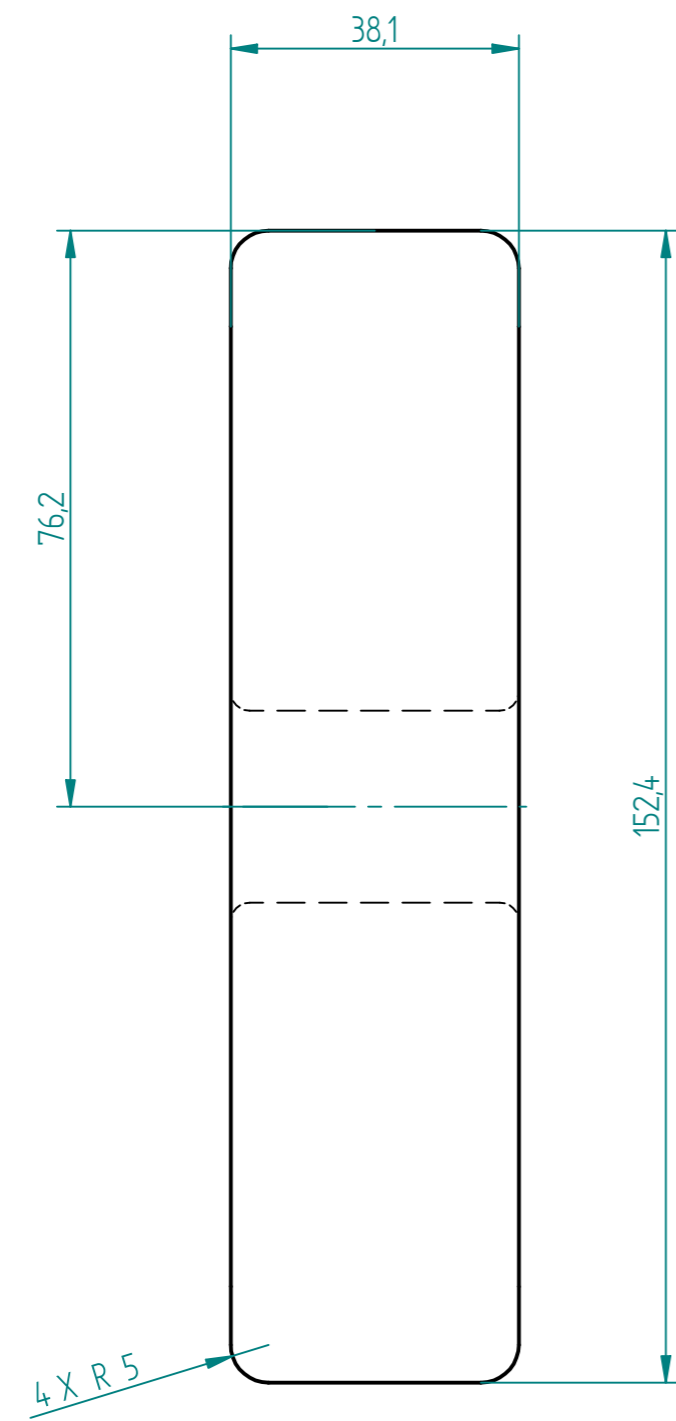


REVISION HISTORY			
REV	DESCRIPTION	DATE	APPROVED



	NAME	DATE	Solid Edge	
DRAWN	Haley	06/07/10		
CHECKED				
ENG APPR				
MGR APPR			TITLE	
UNLESS OTHERWISE SPECIFIED DIMENSIONS ARE IN MILLIMETERS ANGLES ±X.X° 2 PL ±XXX 3 PL ±XXXX			SIZE A2	DWG NO
			FILE NAME: mounting_bracket.dft	REV
			SCALE:	WEIGHT:
			SHEET 1 OF 1	

SOLID EDGE ACADEMIC COPY