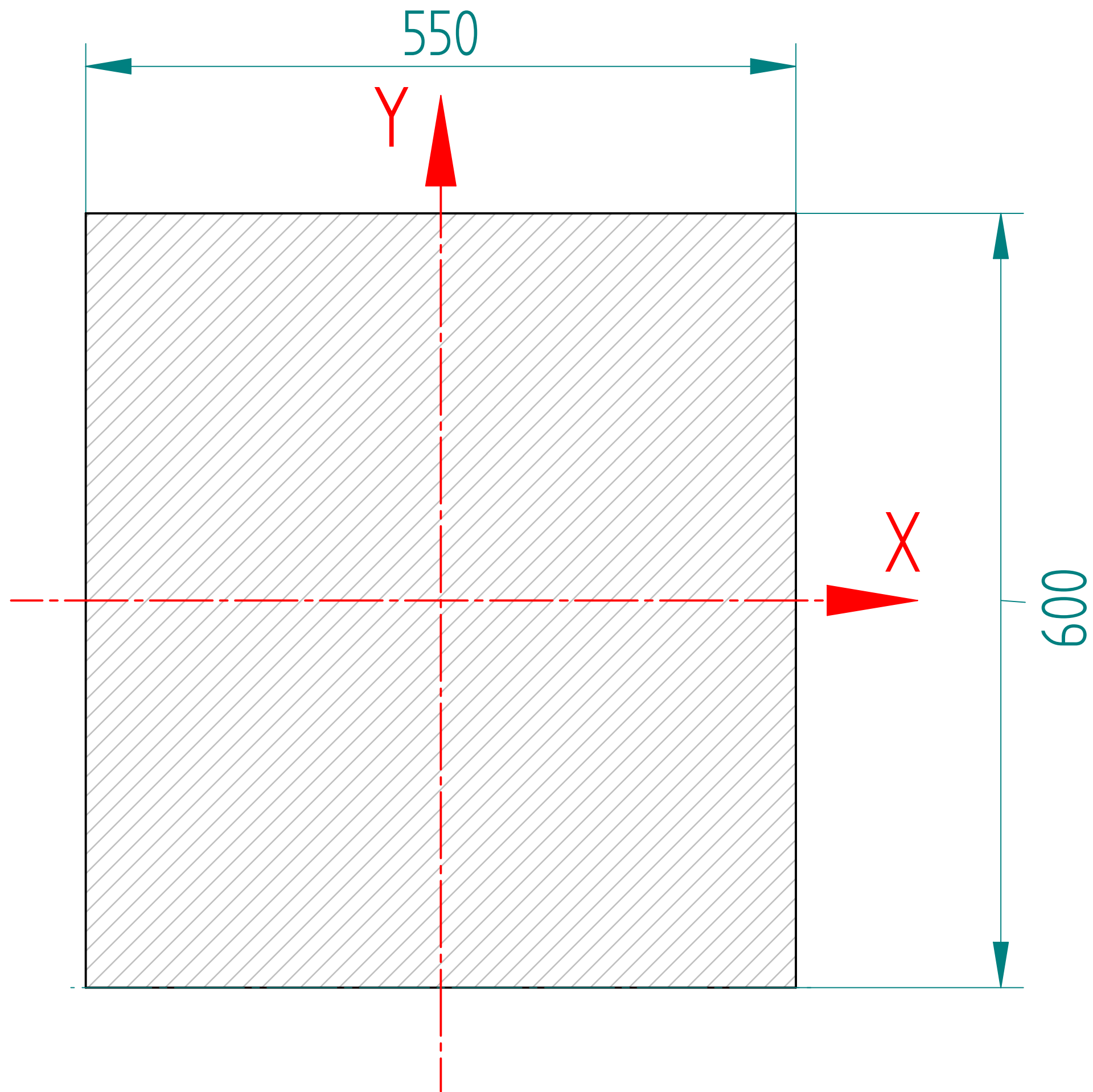
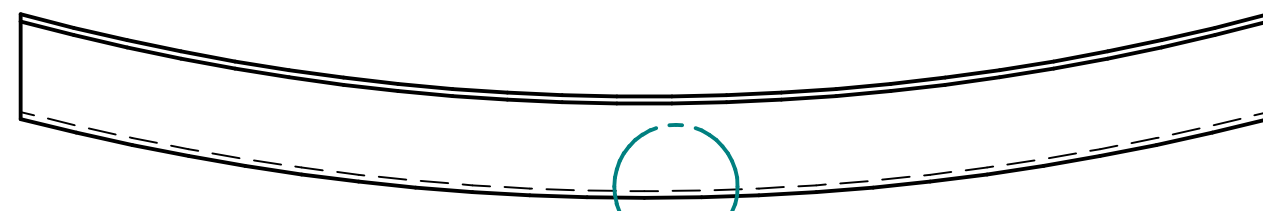


REVISION HISTORY			
REV	DESCRIPTION	DATE	APPROVED

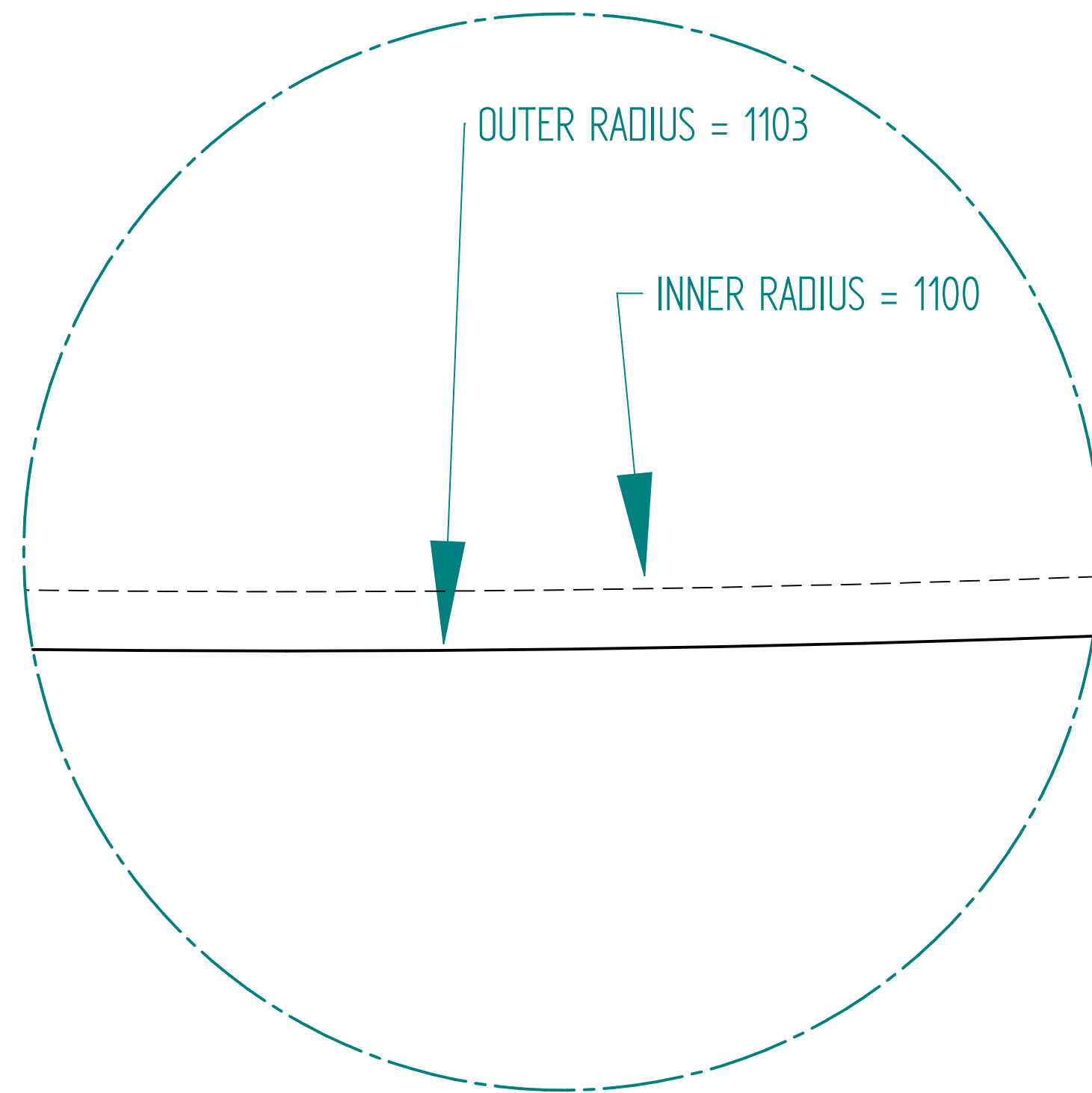
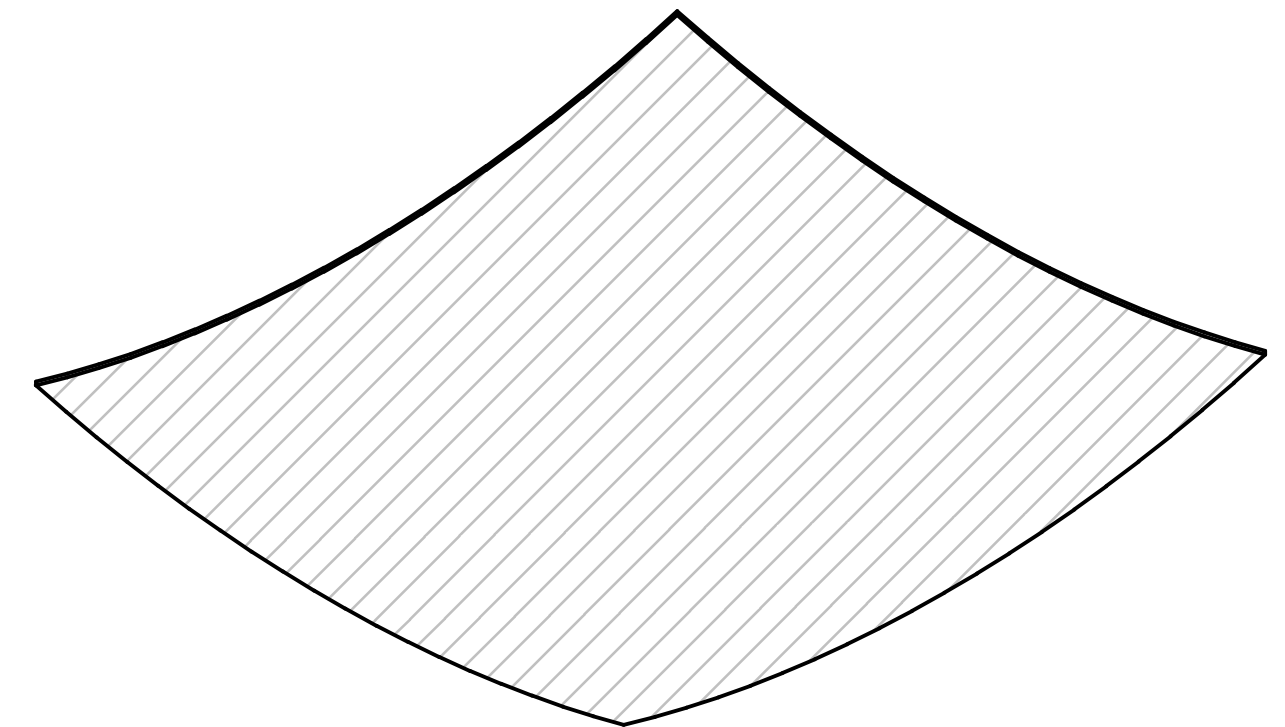
NOTE:
MIRROR HAS SAME
INNER AND OUTER
RADII IN BOTH X
AND Y DIRECTIONS



TOP VIEW



FRONT VIEW



DETAIL A

SOLID EDGE ACADEMIC COPY

	NAME	DATE	Solid Edge	
DRAWN	LEE SICHELLO	10/25/10		
CHECKED			TITLE	
ENG APPR			SPHERICAL MIRROR	
MGR APPR			SIZE	DWG NO
UNLESS OTHERWISE SPECIFIED DIMENSIONS ARE IN MILLIMETERS ANGLES ±X.X° 2 PL ±XXX 3 PL ±XXXX			A2	
			FILE NAME: mirror_alone.dft	REV
			SCALE:	WEIGHT: SHEET 1 OF 1