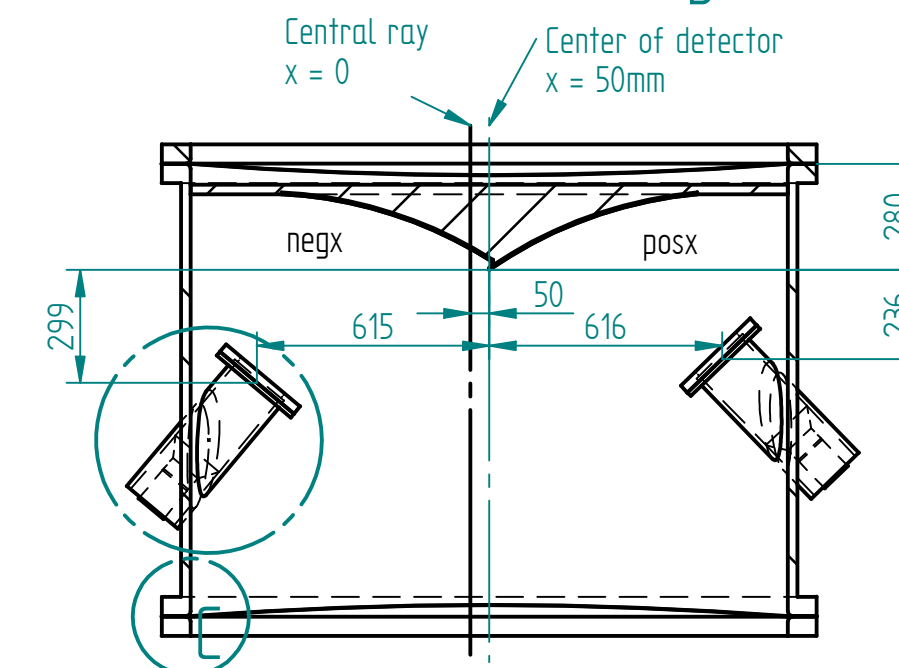
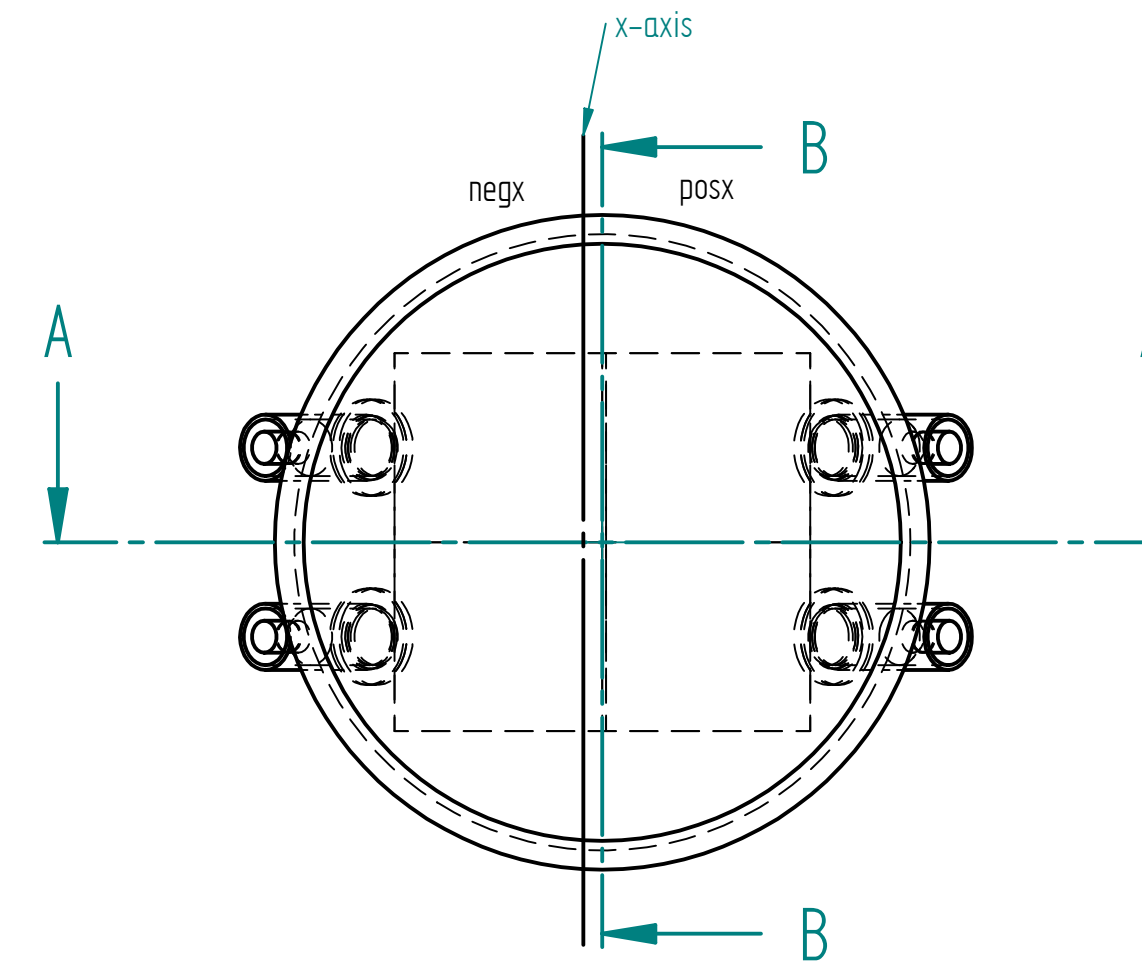
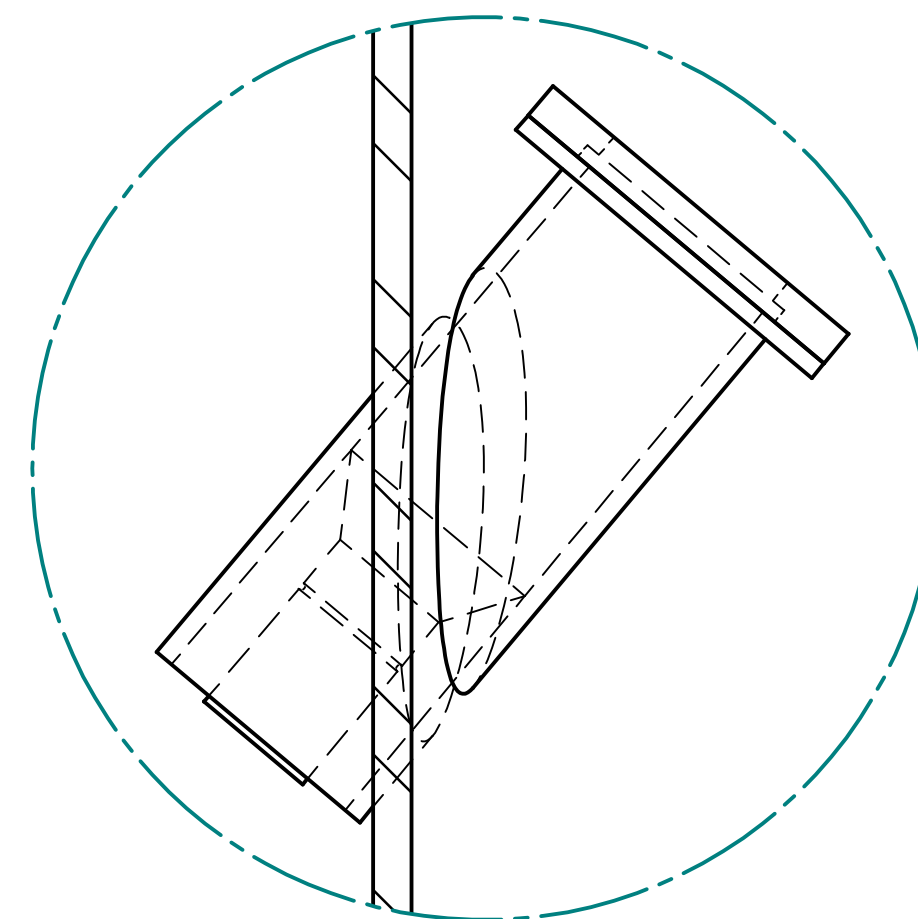
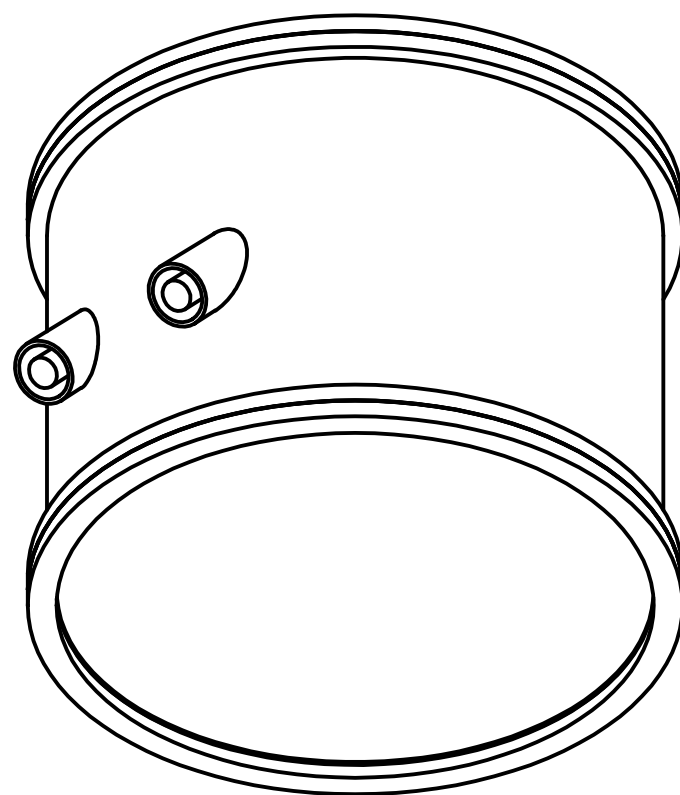
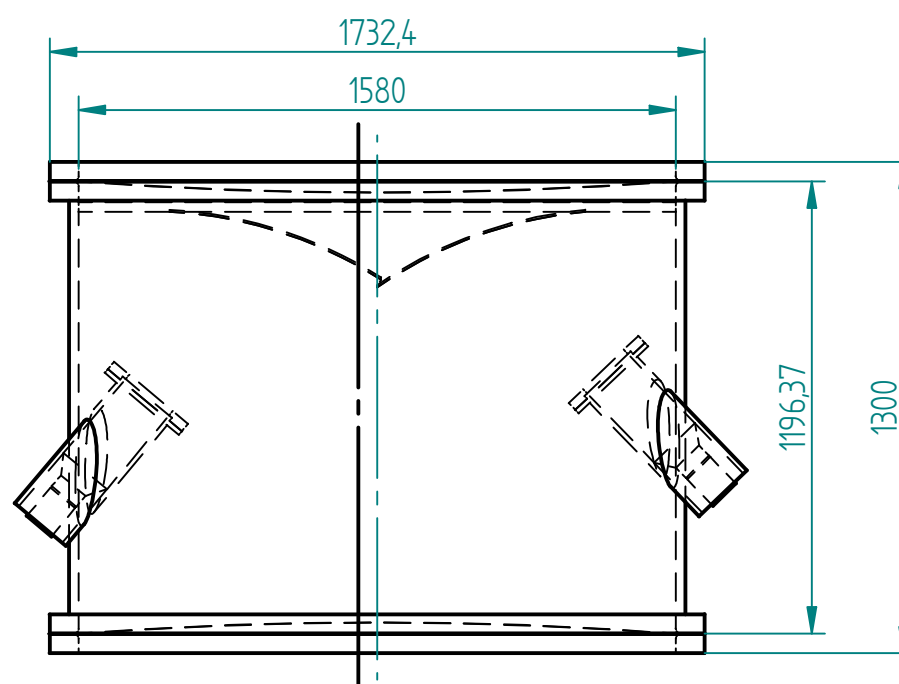


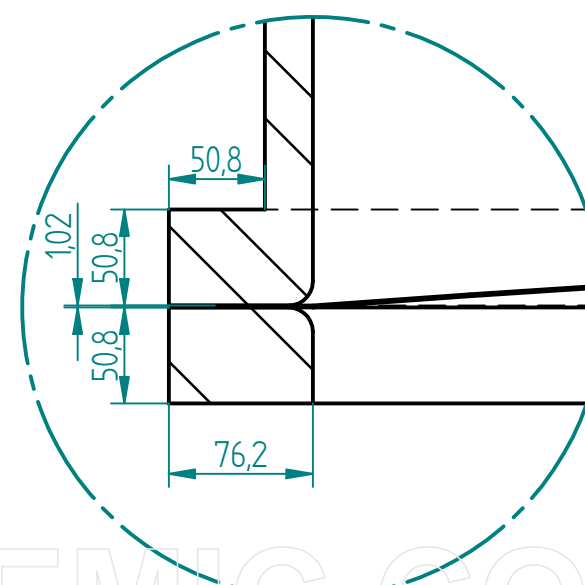
SECTION B-B



SECTION A-A



DETAIL C

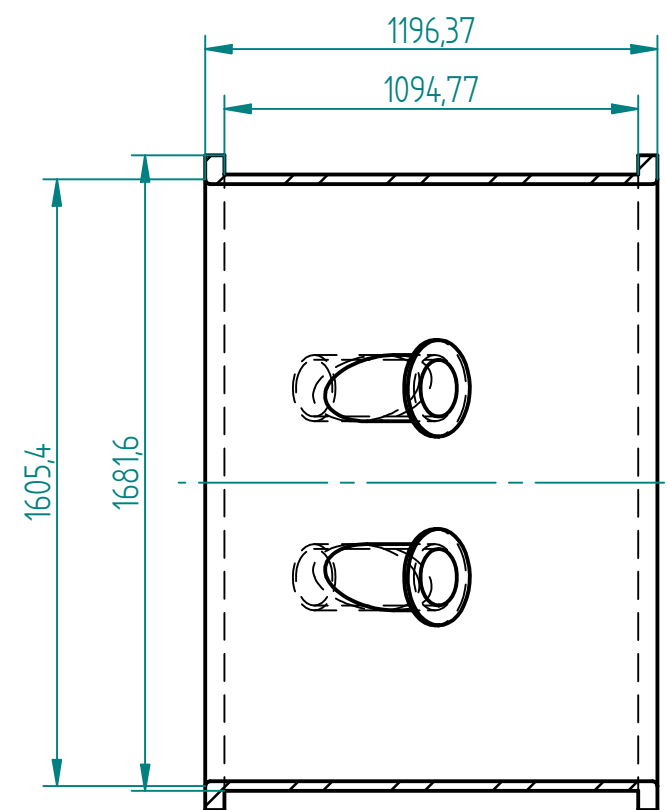


DETAIL D

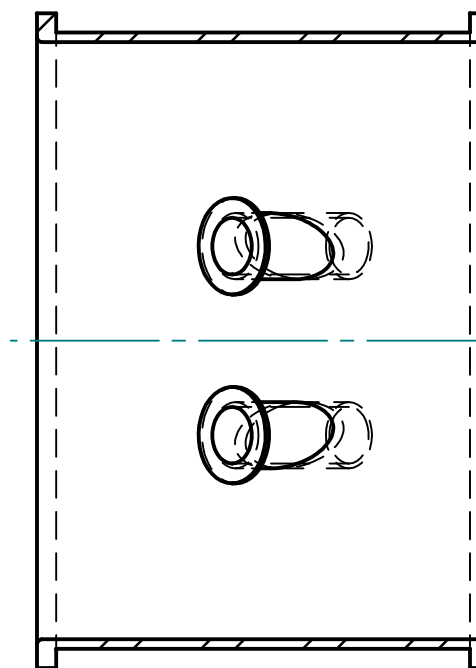
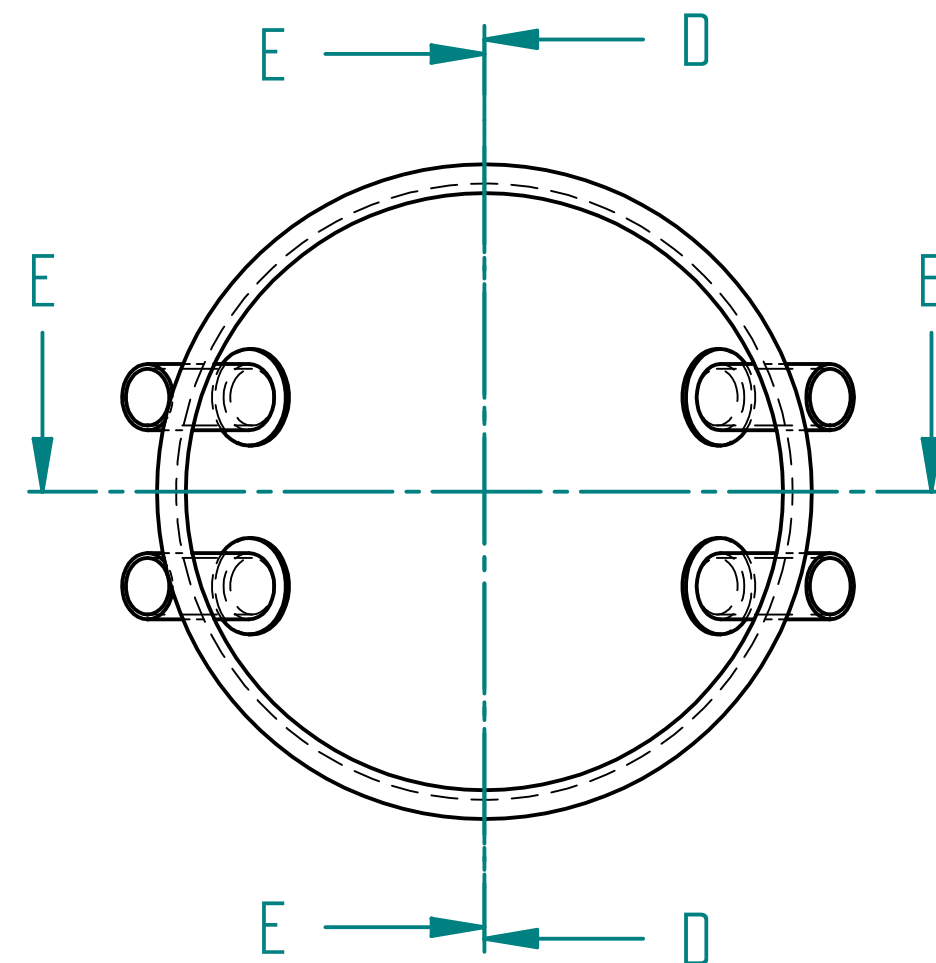
Note: This is a primary design and is subject to change. This drawing is meant only to show necessary dimensions and proportionality required and should not be considered an engineering drawing.

University of Regina
 Drawn by: Paul Selles
 Supervised by: Garth Huber

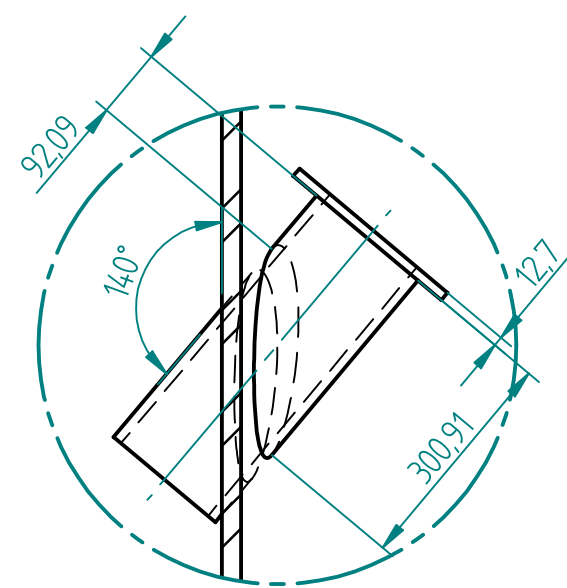
Name: Heavy Gas Cherenkov Complete Assembly
 Revision: A
 Date: May 4/2009



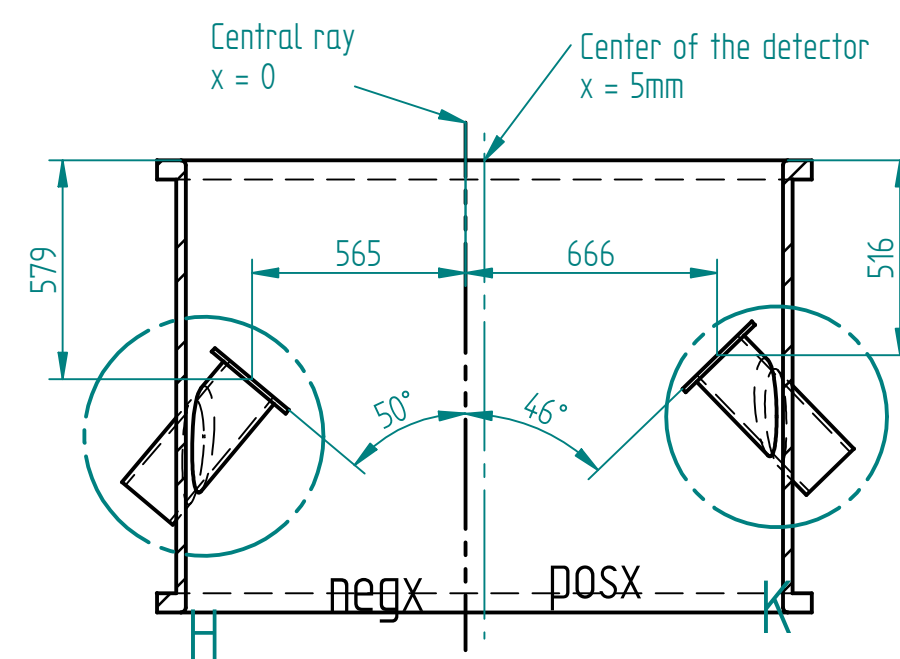
SECTION D-D



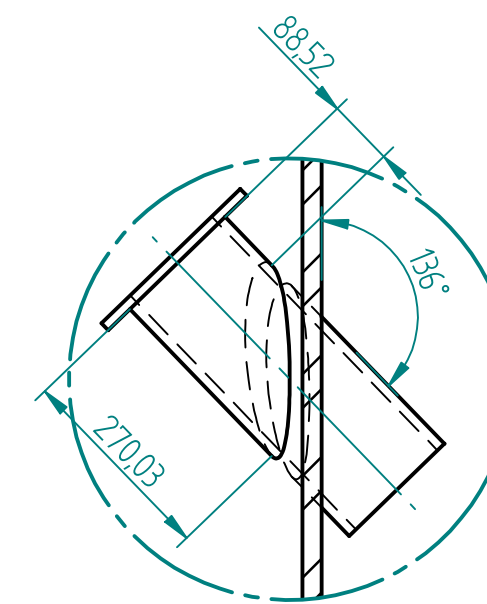
SECTION E-E



DETAIL H



SECTION E-E



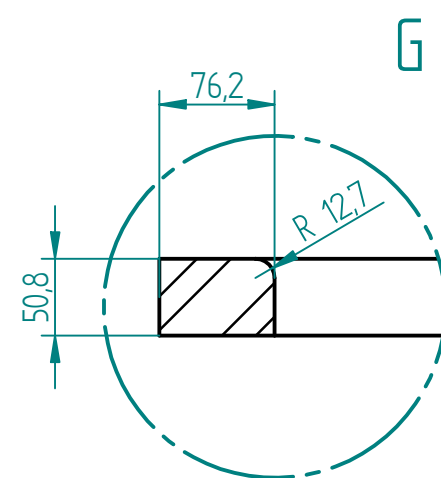
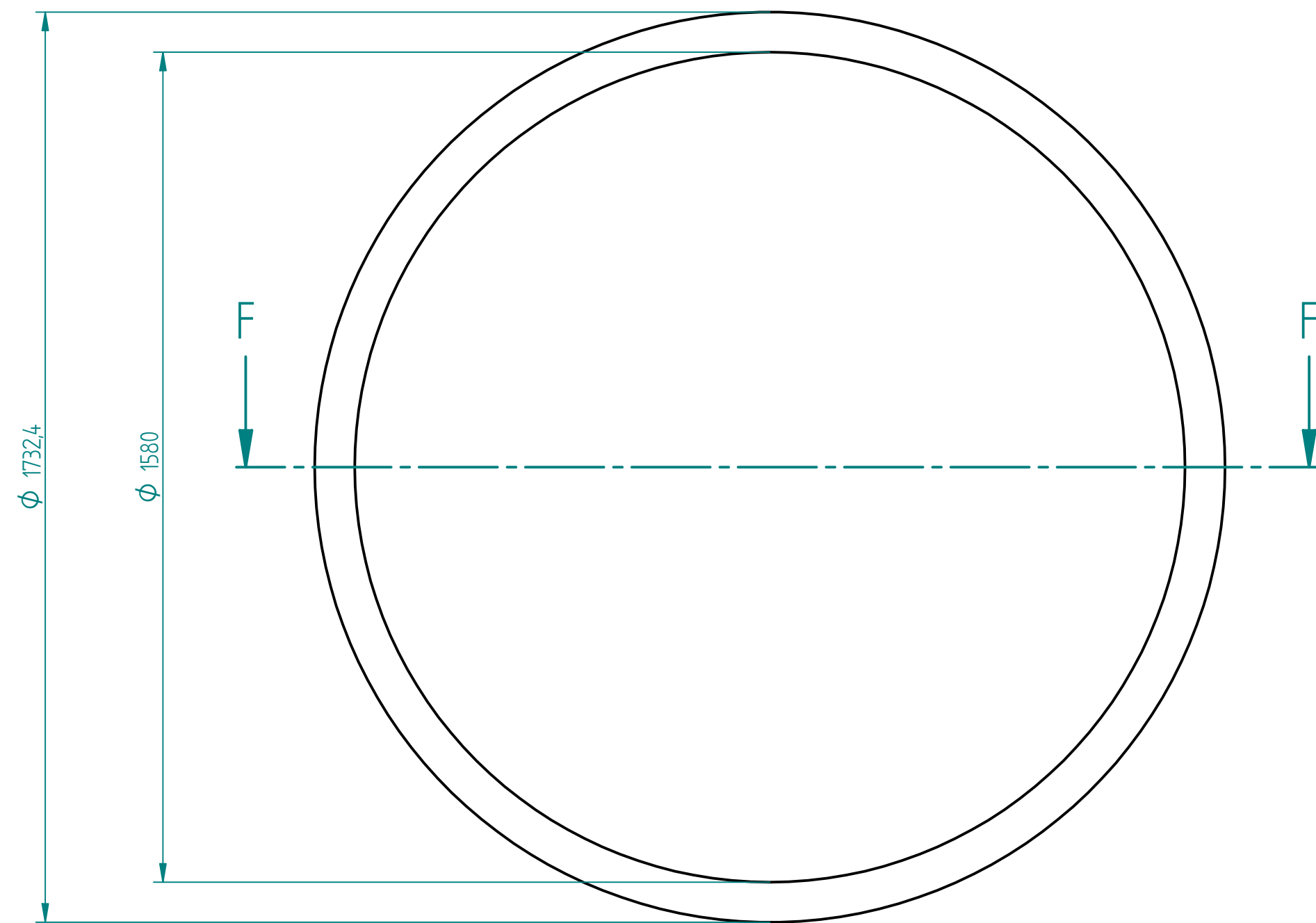
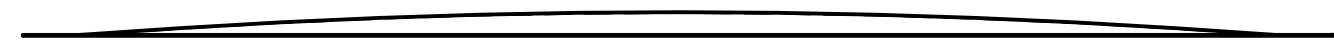
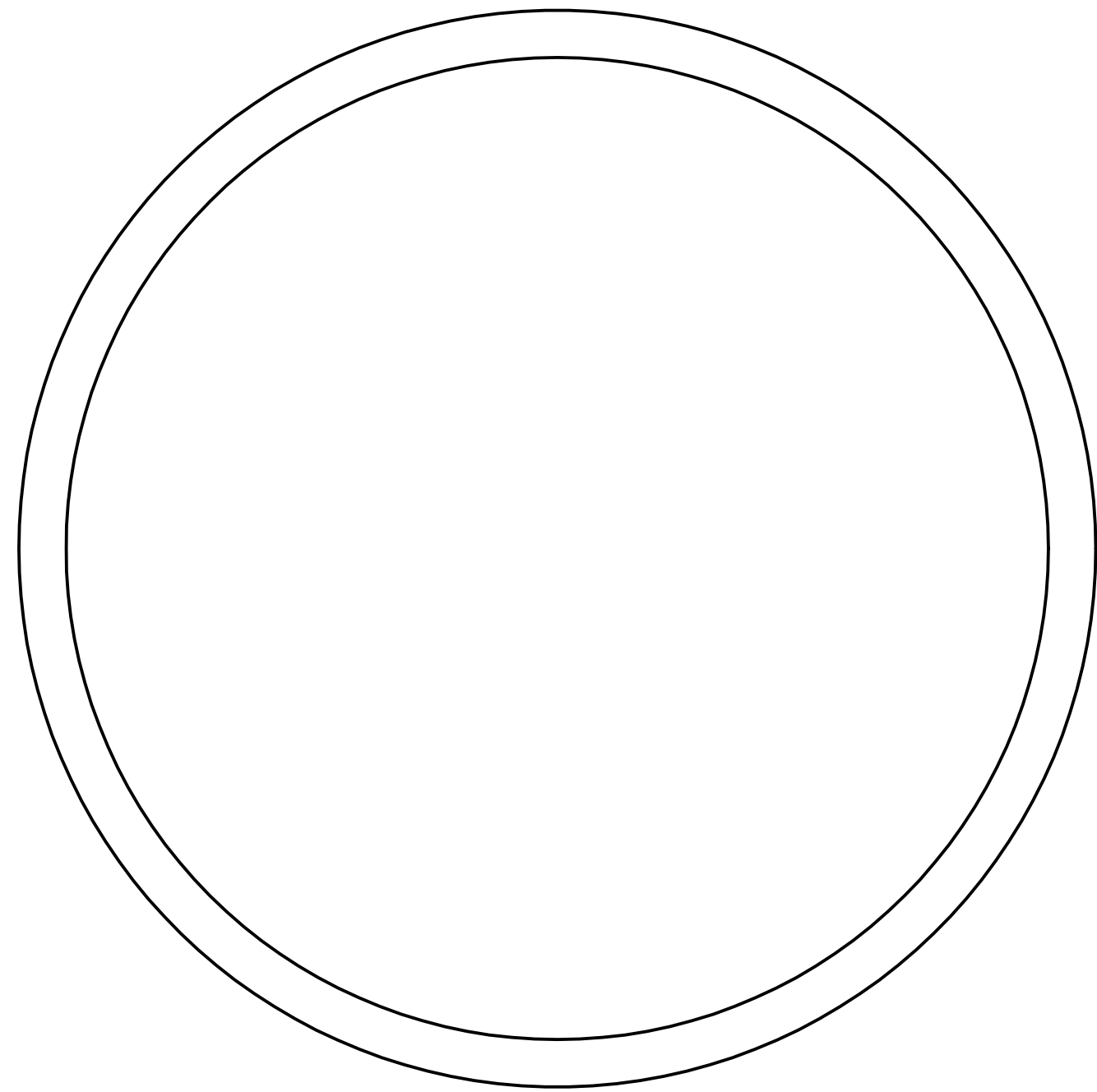
DETAIL K

Note: This is a primary design and is subject to change. This drawing is meant only to show necessary dimensions and proportionality required and should not be considered an engineering drawing.

ACADEMIC COPY

University of Regina
 Drawn by: Paul Selles
 Supervised by: Garth Huber

Name: Heavy Gas Cherenkov Vessel
 Revision: A
 Date: May 4/2009



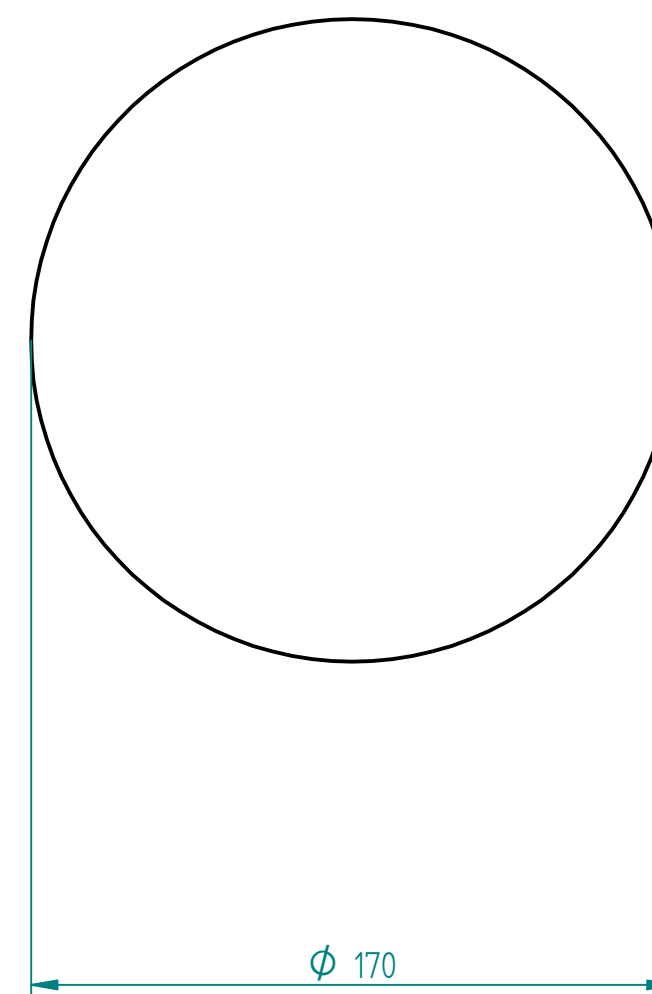
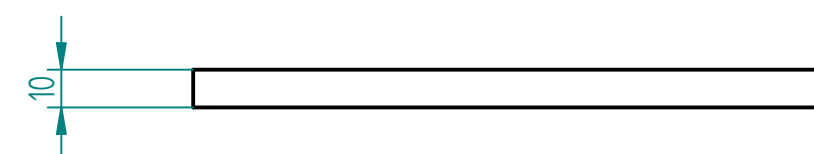
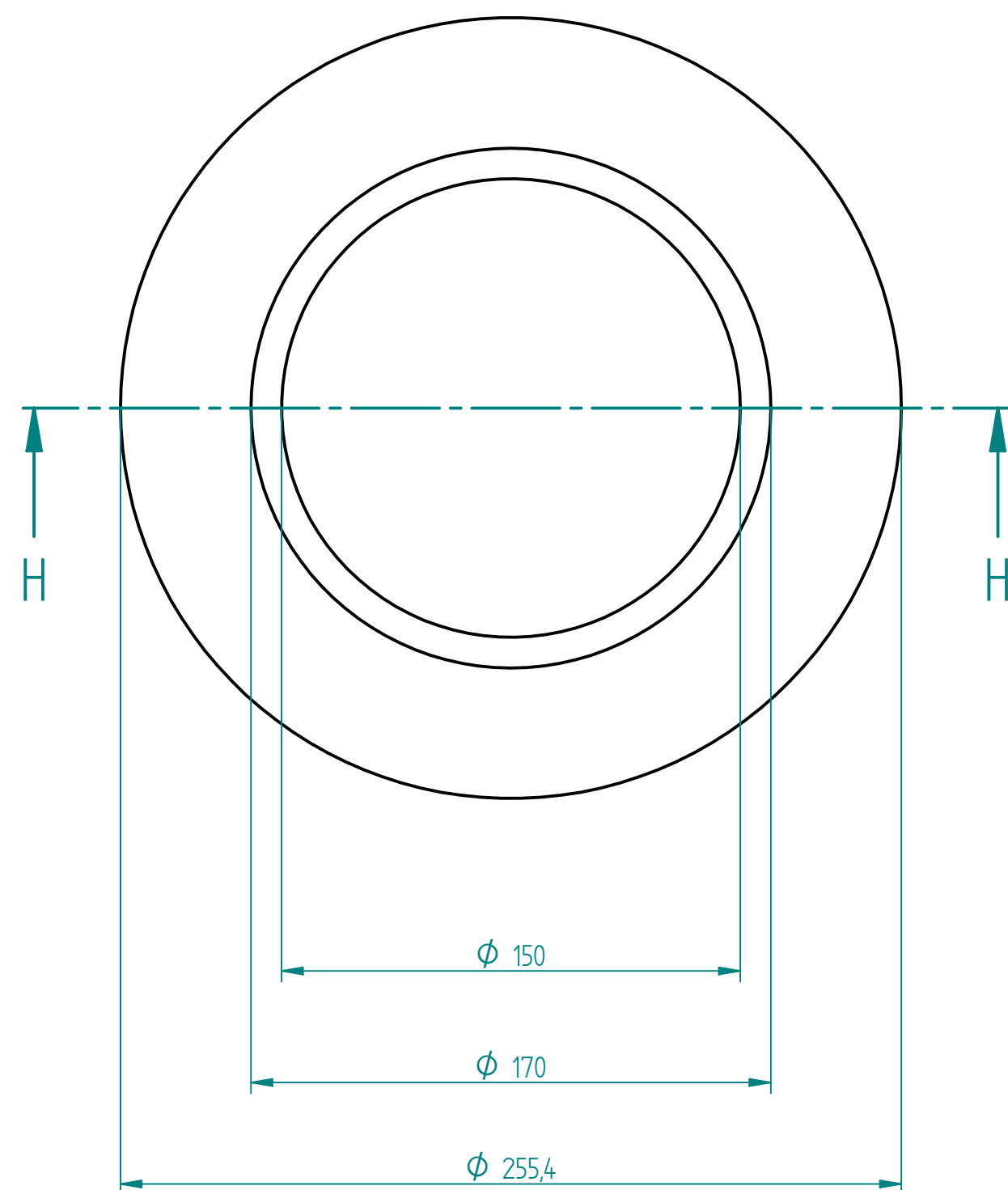
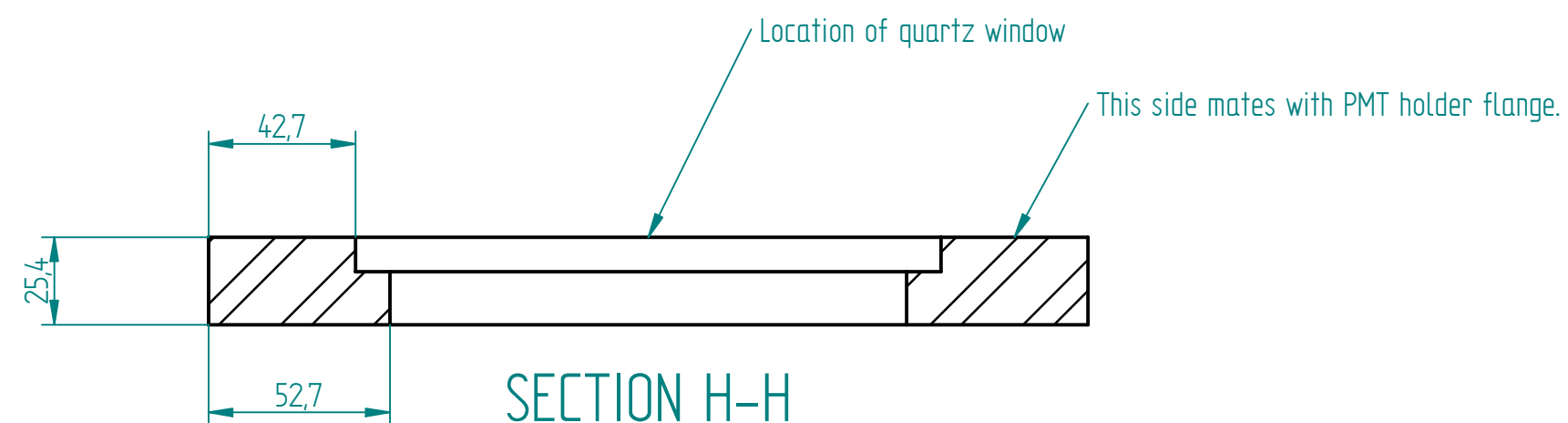
Note: This is a primary design and is subject to change. This drawing is meant only to show necessary dimensions and proportionality required and should not be considered an engineering drawing.

ACADEMIC COPY

University of Regina
Drawn by: Paul Selles
Supervised by: Garth Huber

Name: Heavy Gas Cherenkov Window and Window Clamp
Revision: A
Date: May 4/2009

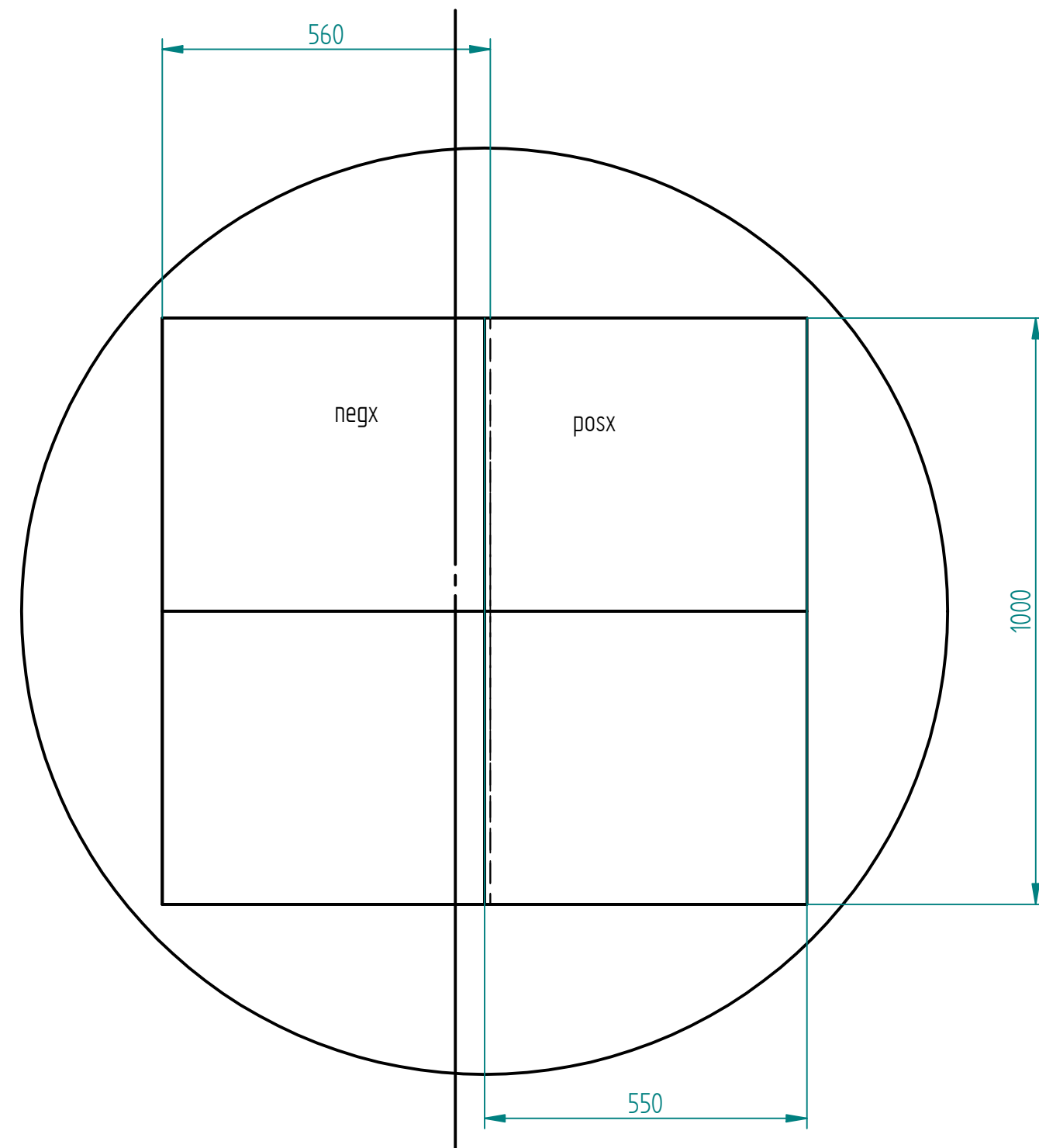
Note: This is a primary design and is subject to change. This drawing is meant only to show necessary dimensions and proportionality required and should not be considered an engineering drawing.



SOLID EDGE ACADEMIC COPY

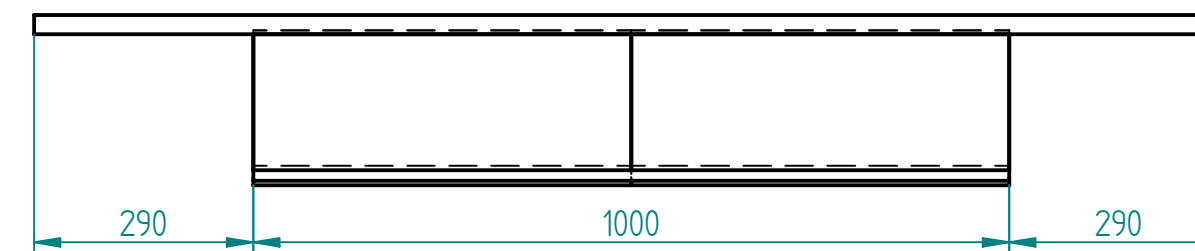
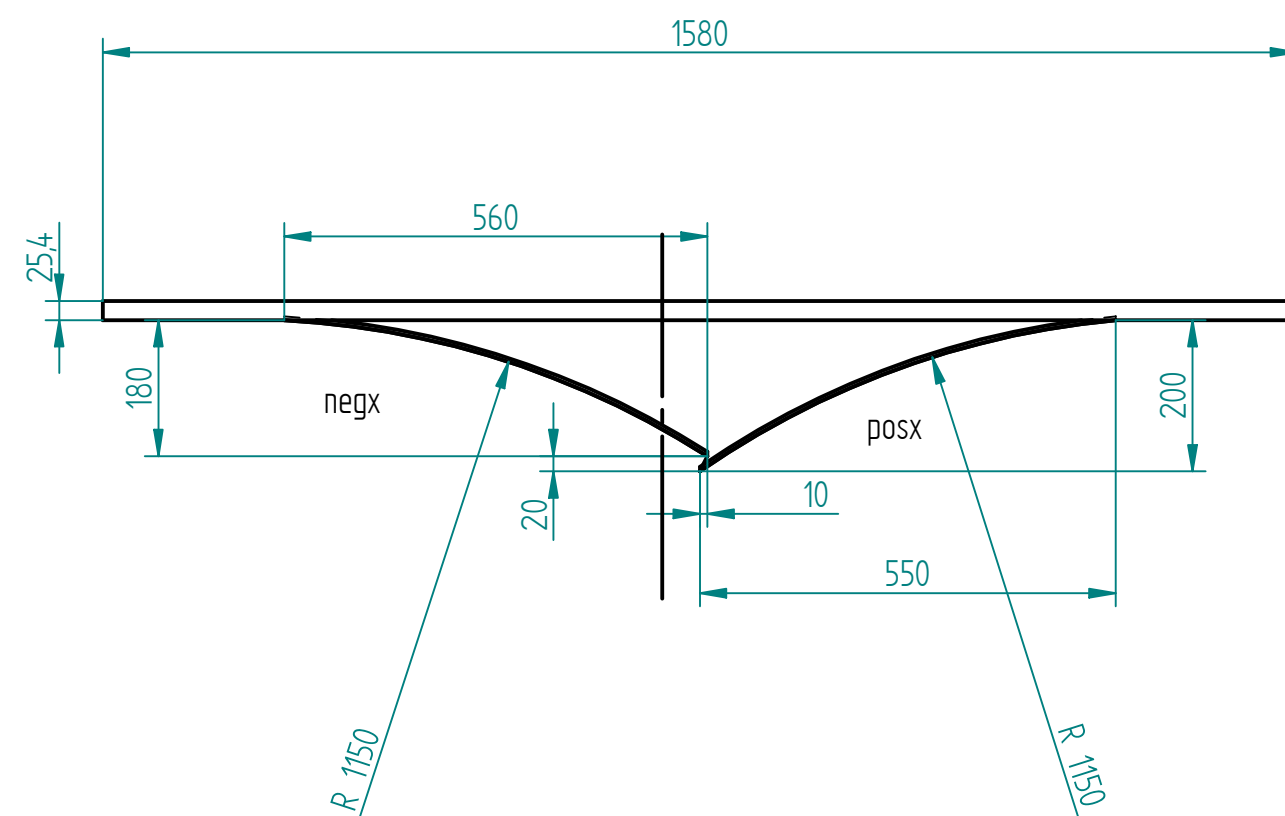
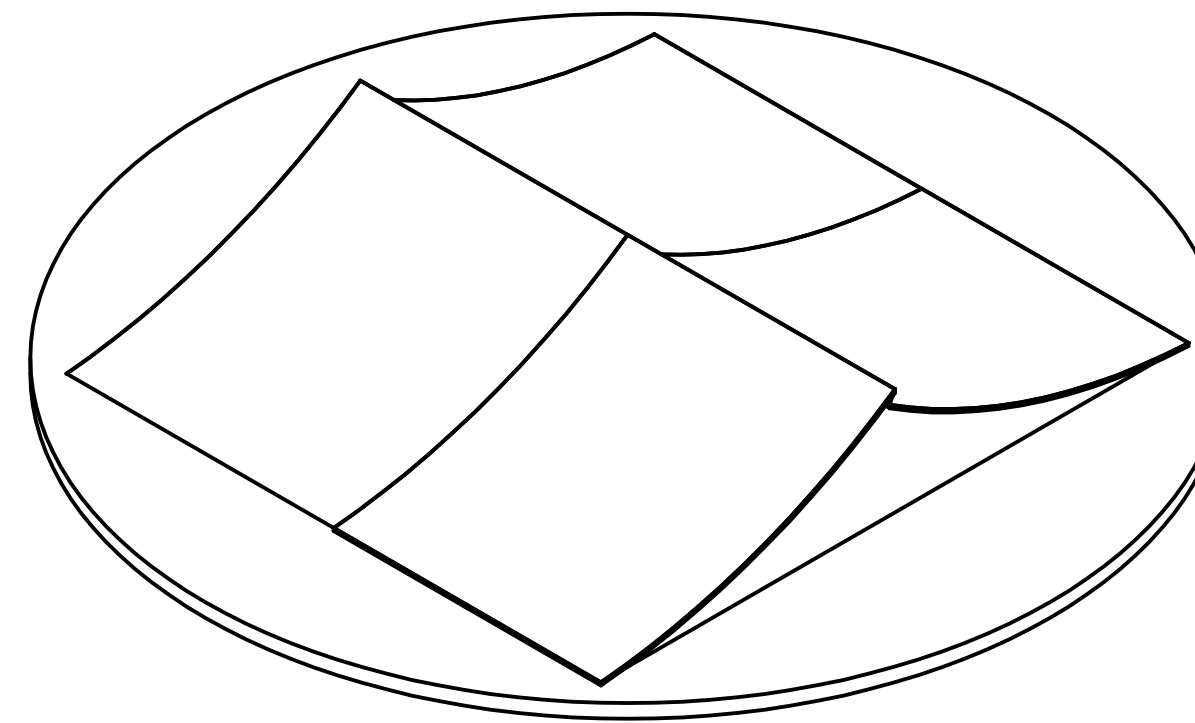
University of Regina
Drawn by: Paul Selles
Supervised by: Garth Huber

Name: Heavy Gas Cherenkov Quartz Window and Clamp
Revision: A
Date: May 4/2009



Mirrors are 3mm thick and are attached to a rohacell backing. Dimentions given are those to the ends of the mirrors.

Note: This is a primary design and is subject tochange. This drawing is meant only to show necessary dimensions and proportionality required and should not be considered an engineering drawing.



SOLID EDGE ACADEMIC COPY

University of Regina
 Drawn by: Paul Selles
 Supervised by: Garth Huber

Name: Heavy Gas Cherenkov Mirror Assembly
 Revision: A
 Date: May 4/2009