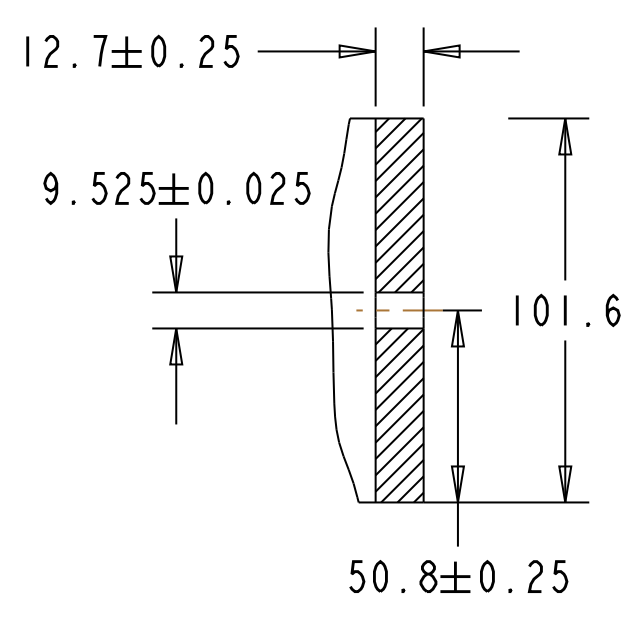
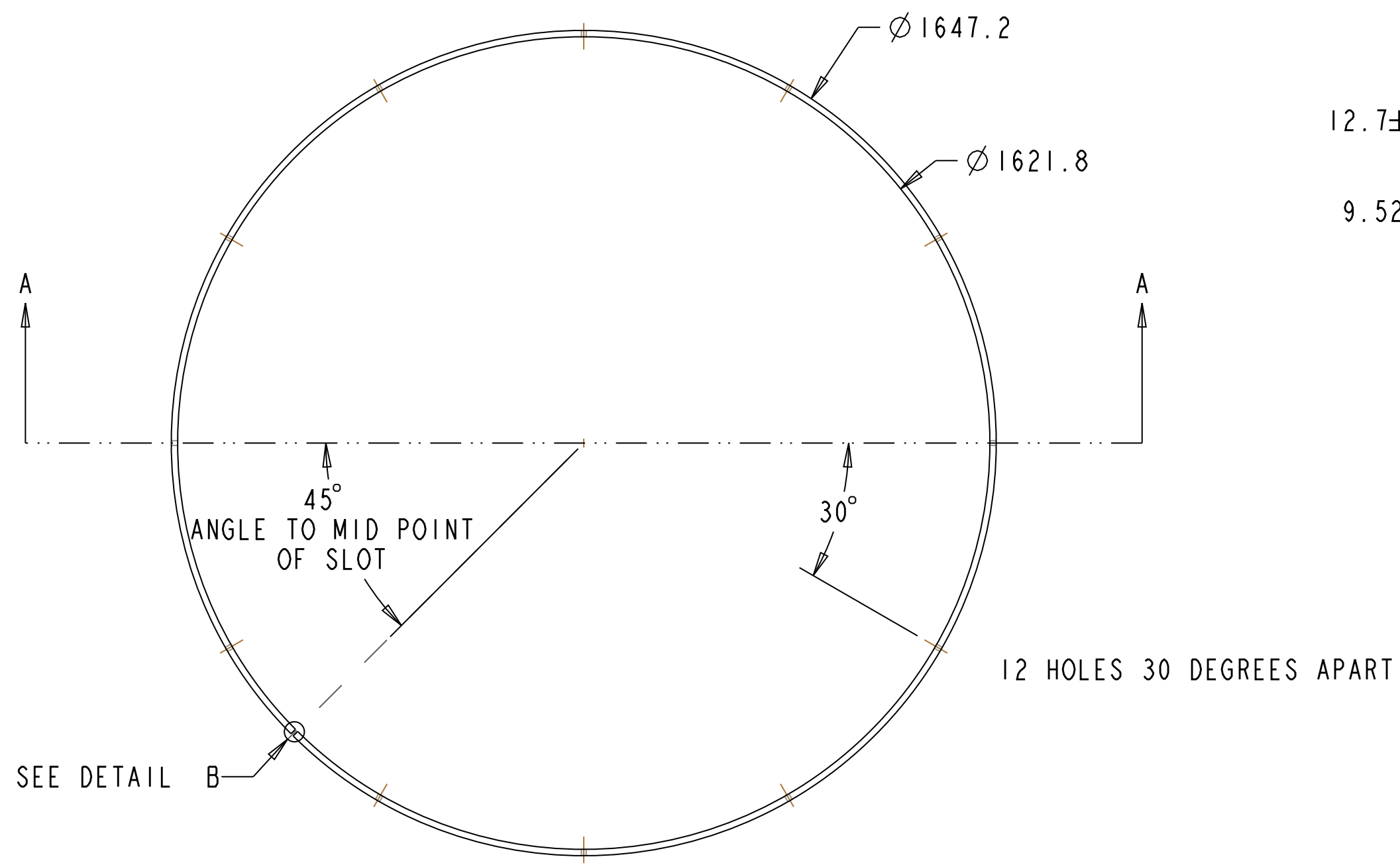
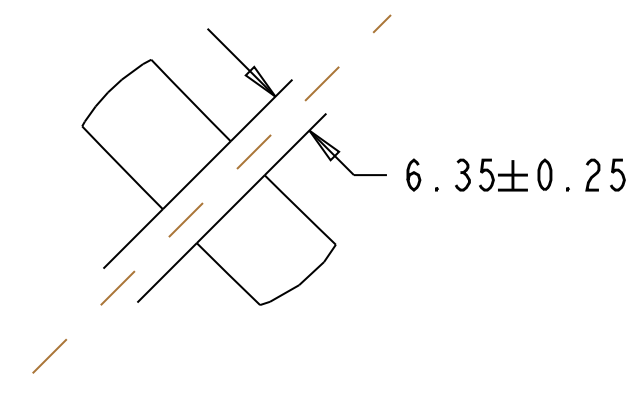
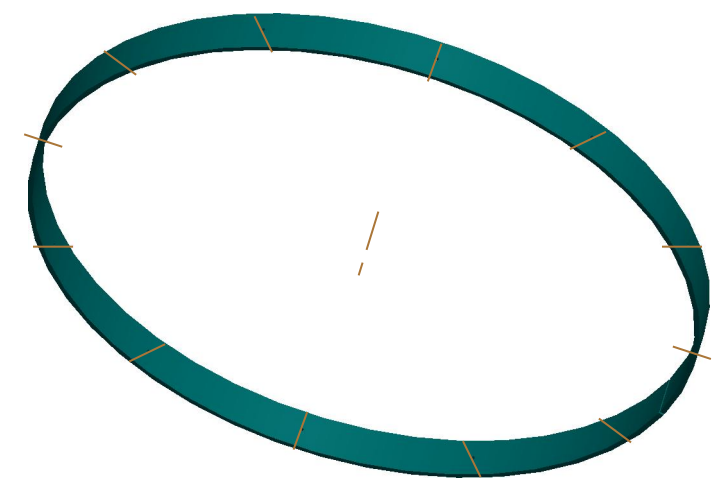


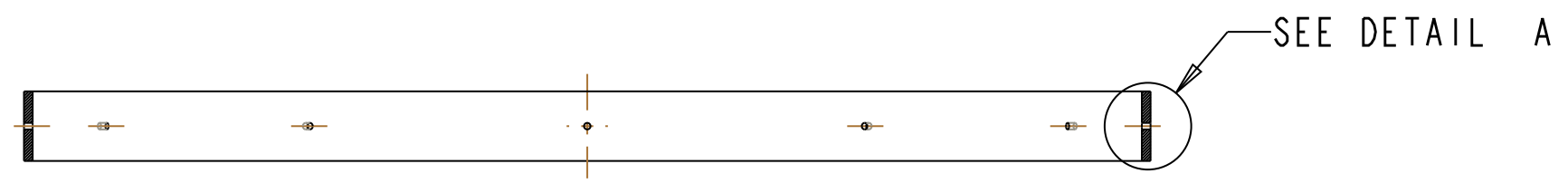
ITEM	DESCRIPTION	MAT'L	QUANTITY



DETAIL A
SCALE 0.500



DETAIL B
SCALE 1.000



SECTION A-A

MATL: 0.5" ALUM 6061 STRIP

ALL DIMENSIONS IN mm UNLESS OTHERWISE SPECIFIED
 TOLERANCES UNLESS OTHERWISE SPECIFIED:
 FRACTIONAL DIMENSIONS
 DECIMAL DIMENSIONS XX ± 0.5
 ANGULAR DIMENSIONS ± 0.5°
 SURFACE FINISH MILL FINISH

UNIVERSITY OF ALBERTA		EDMONTON ALBERTA CANADA	
DESIGNED	CHRIS NG	TELEPHONE	(780) 492 5979
DRAWN	CHRIS NG	FAX	(780) 492 3408
CHECKED		E-MAIL	cjng@ualberta.ca
APPROVED			

REF. DWGS.	REV.	DATE	REVISION	BY
	B		DECREASE DIAMETER	

CENTER OF PARTICLE PHYSICS

SUPPORT RING			
SCALE	0.100	APPROVAL	DWG. NO
DATE	MAY 10, 2012	CHIEF ENGR	REV. B