

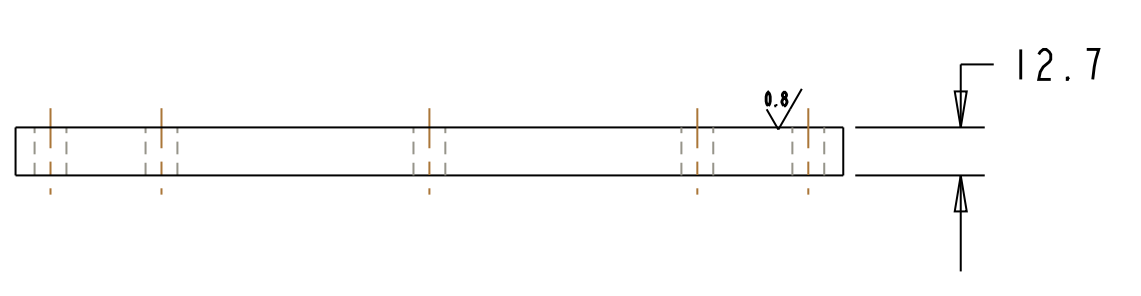
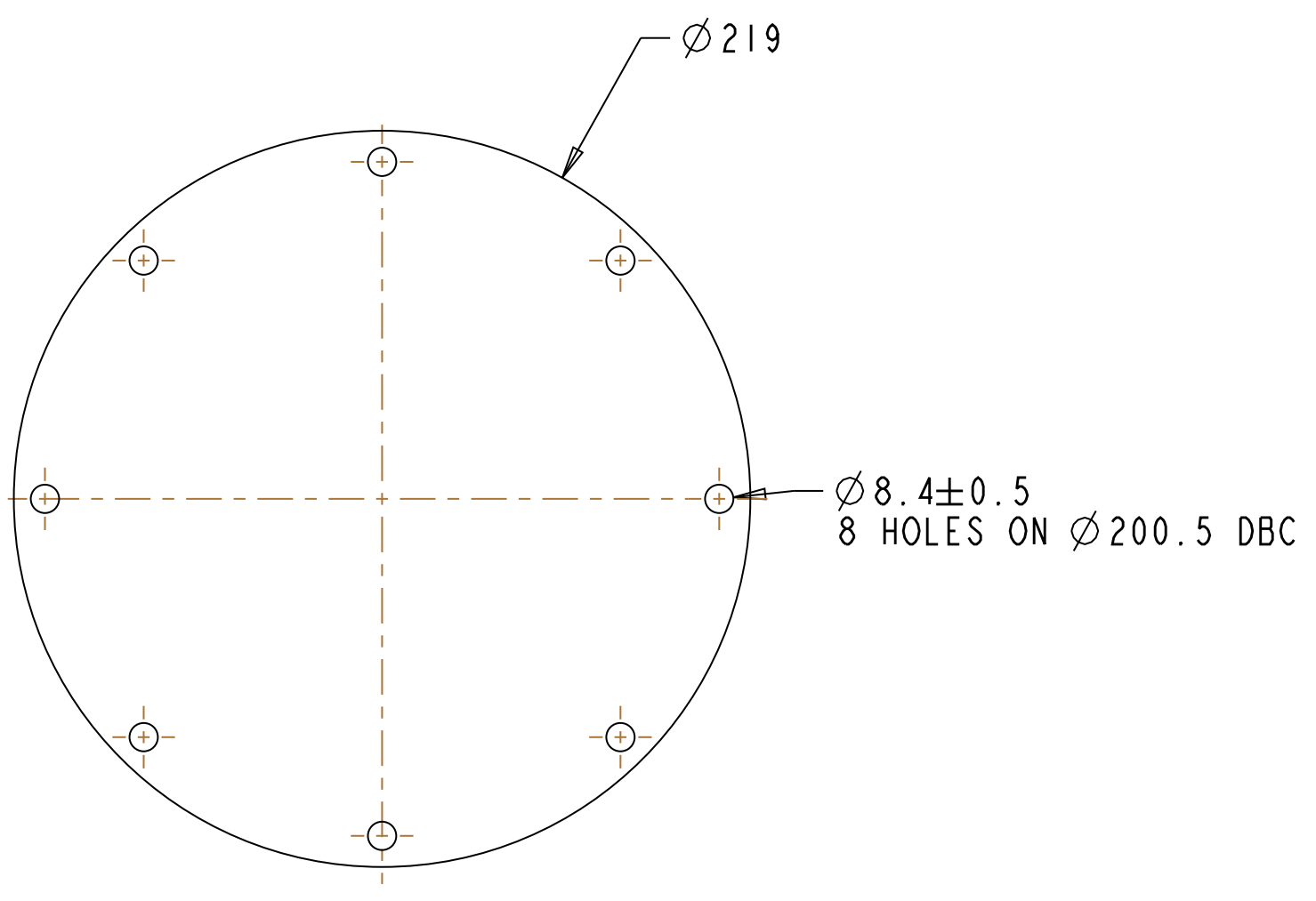
e

d

c

b

a



MATL: 0.5" STEEL PLATE

ITEM	DESCRIPTION	MAT'L	QUANTITY

REF. DWGS.	REV.	DATE	REVISION	BY
	B		FIXED TOLERANCES	
	C		INCREASE HOLE TOLERANCE	

ALL DIMENSIONS IN mm UNLESS OTHERWISE SPECIFIED  
 TOLERANCES UNLESS OTHERWISE SPECIFIED:  
 FRACTIONAL DIMENSIONS  
 DECIMAL DIMENSIONS XX ± 0.5  
 ANGULAR DIMENSIONS ± 0.5°  
 SURFACE FINISH MILL FINISH

**UNIVERSITY OF ALBERTA**  
 EDMONTON ALBERTA CANADA

DESIGNED CHRIS NG TELEPHONE (780) 492 5979  
 DRAWN CHRIS NG FAX (780) 492 3408  
 CHECKED E-MAIL: c.jng@ualberta.ca

APPROVED

**CENTER OF PARTICLE PHYSICS**

QUARTZ WINDOW BLANK OFF

SCALE 0.500 APPROVAL DWG. NO. REV.  
 DATE JULY 13, 2012 CHIEF ENGR C

3

2

1

3

2

1

e

d

c

b

a