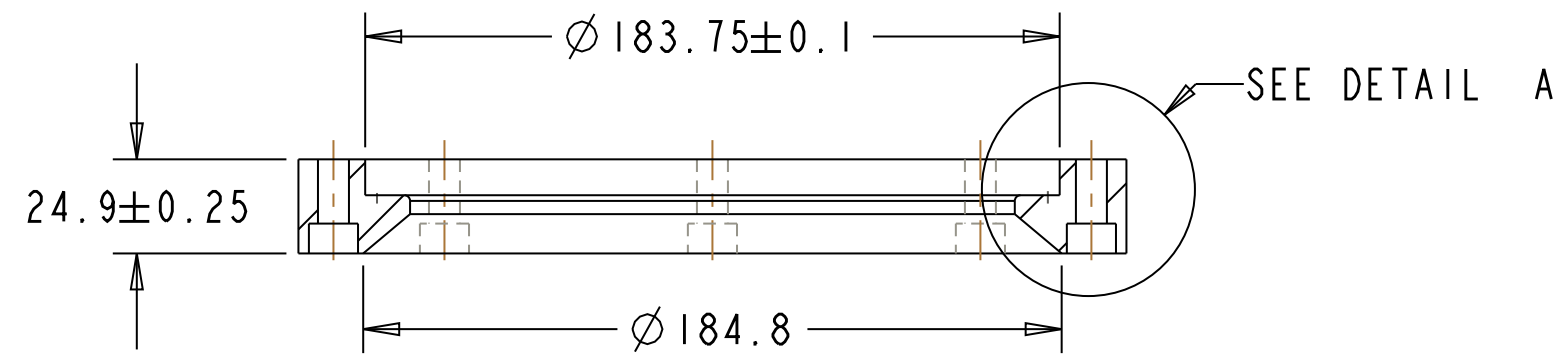


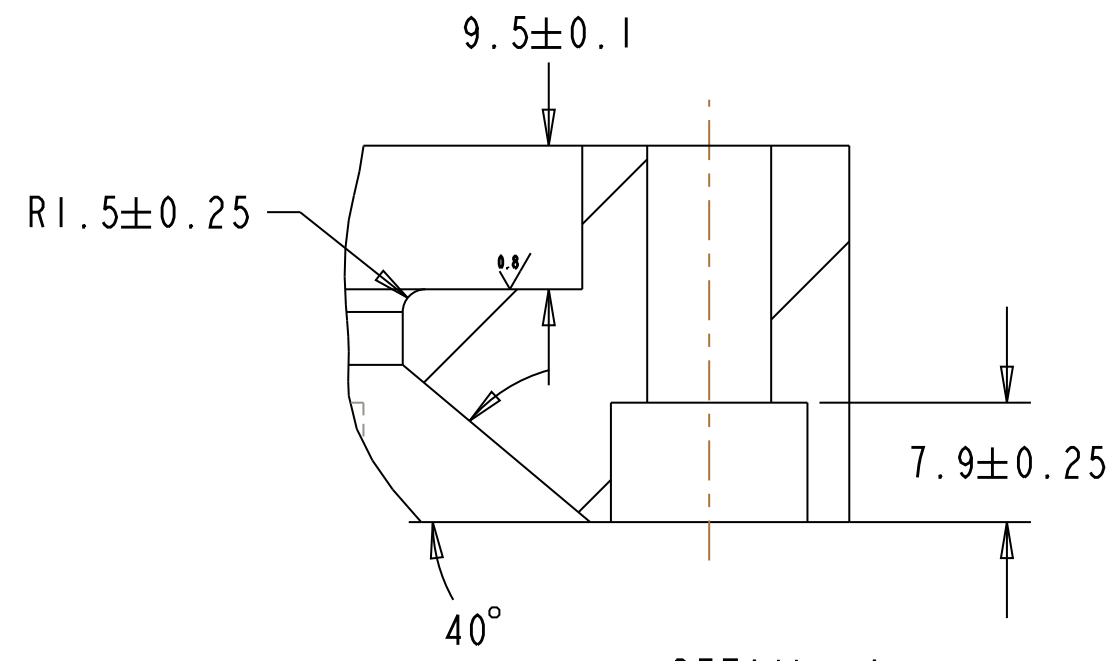
3

2

1

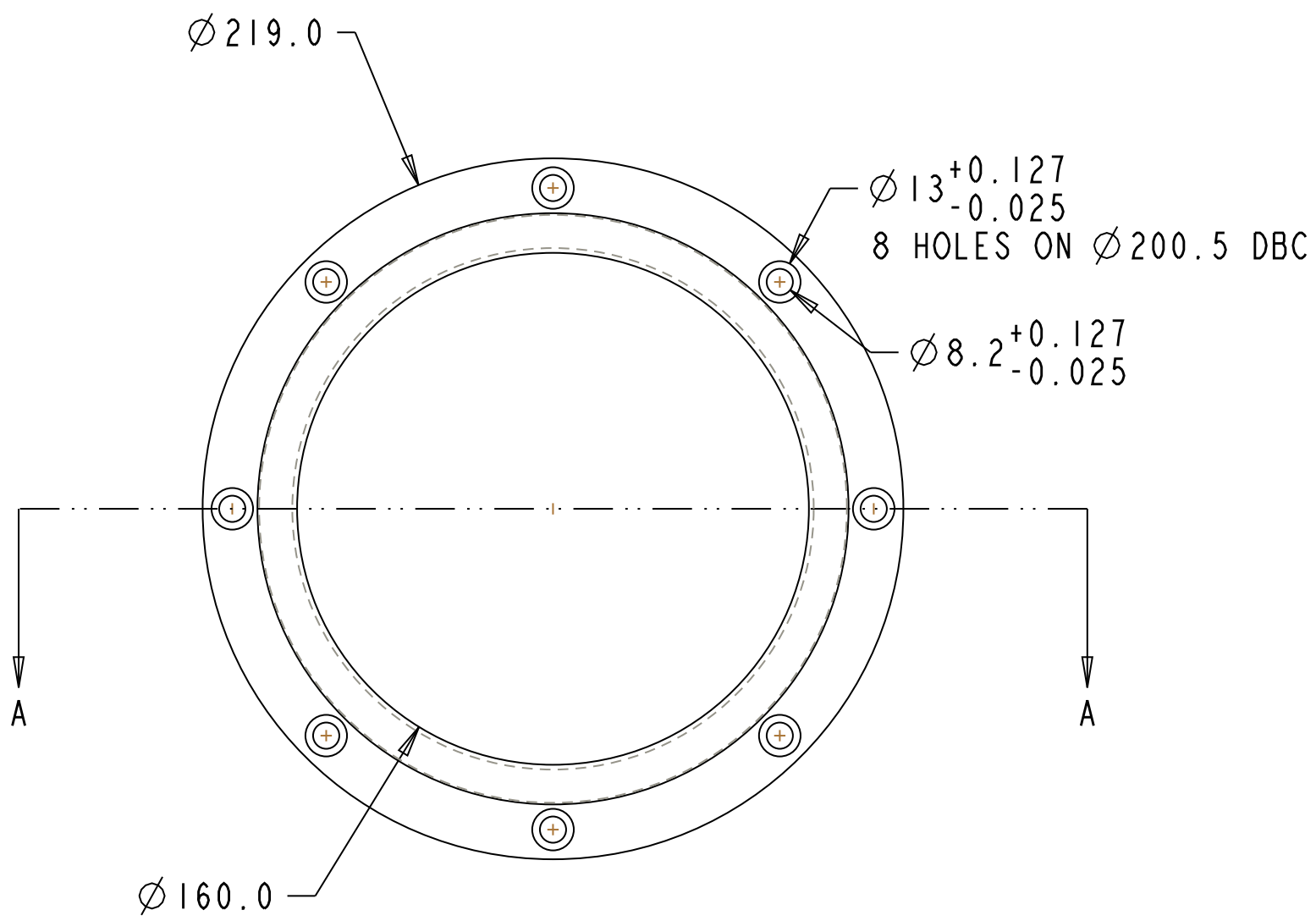
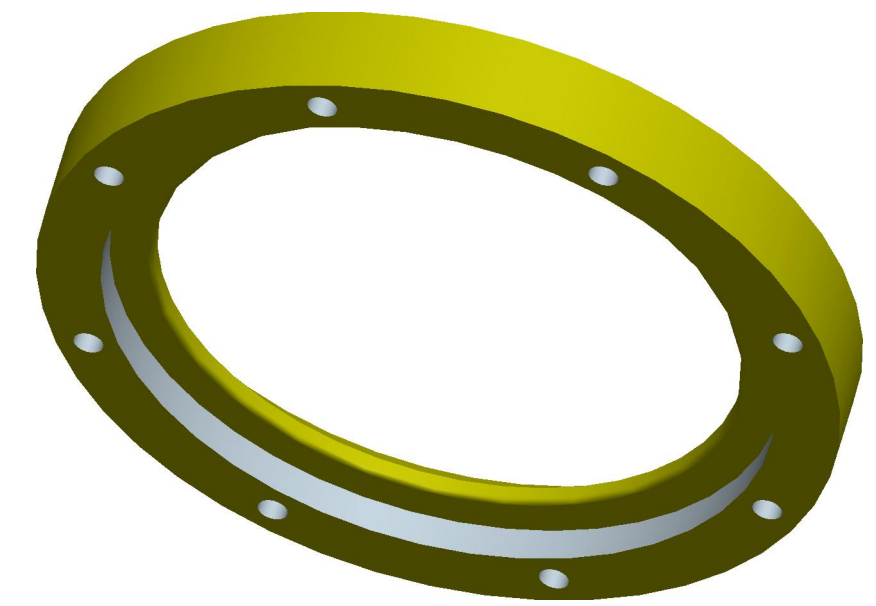


SECTION A-A



DETAIL A  
SCALE 2.000

ITEM	DESCRIPTION	MAT'L	QUANTITY



MATL: ALUM 6061-T6

NOTES:

1. Sealing surface must be free of burrs and scratches

ALL DIMENSIONS IN mm UNLESS OTHERWISE SPECIFIED  
 TOLERANCES UNLESS OTHERWISE SPECIFIED:  
 FRACTIONAL DIMENSIONS  
 DECIMAL DIMENSIONS XX ± 0.5  
 ANGULAR DIMENSIONS ± 0.5°  
 SURFACE FINISH 32um

**UNIVERSITY OF ALBERTA**  
 EDMONTON ALBERTA CANADA

DESIGNED CHRIS NG TELEPHONE (780) 492 5979  
 DRAWN CHRIS NG FAX (780) 492 3408  
 CHECKED E-MAIL: cjng@ualberta.ca

APPROVED

REF. DWGS.	REV.	DATE	REVISION	BY

**CENTER OF PARTICLE PHYSICS**

QUARTZ HOLDER

SCALE	APPROVAL	DWG. NO	REV.
0.500			B
DATE APR 17, 2012	CHIEF ENGR		

3

2

1

e

d

c

b

a