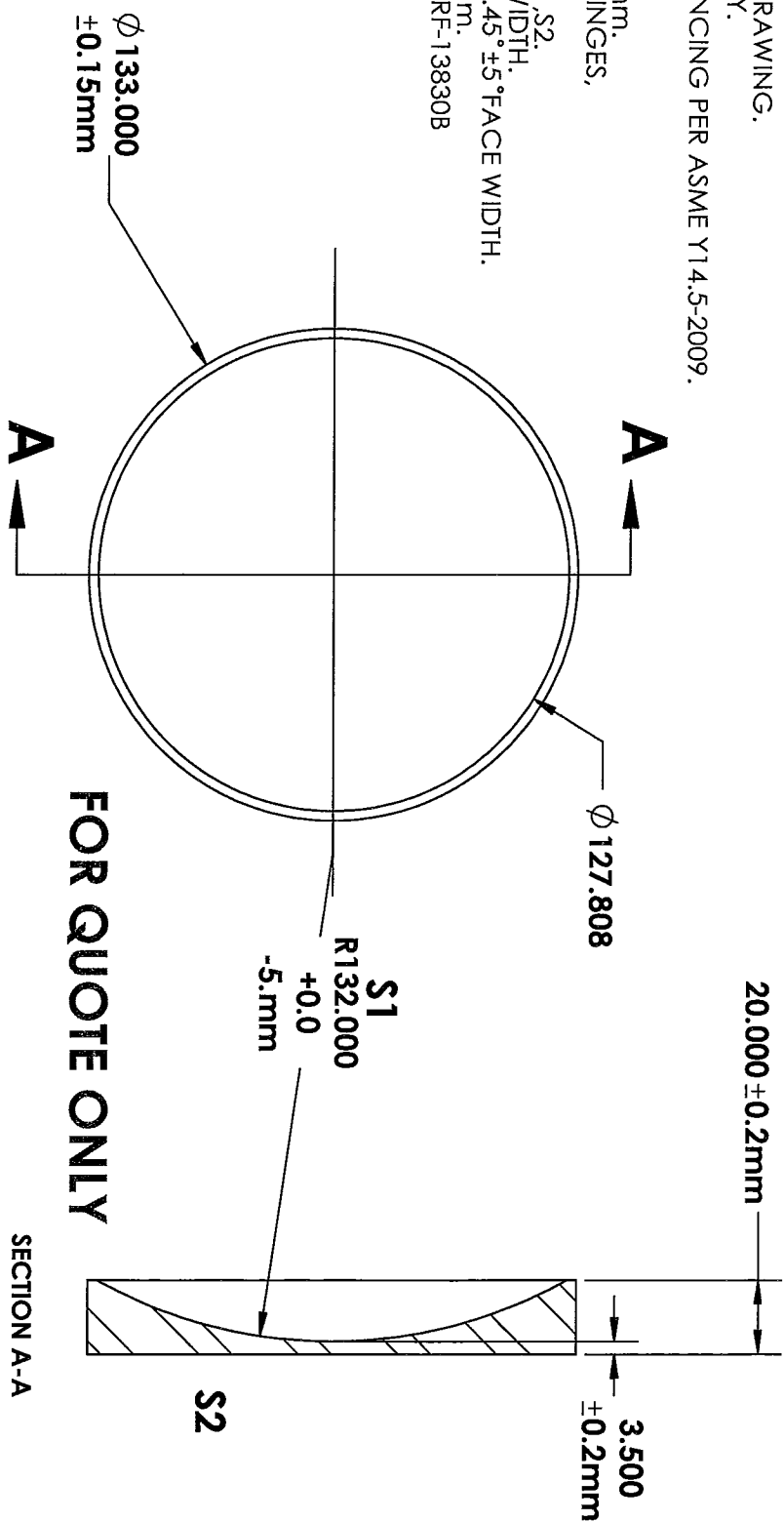


PROPRIETARY AND CONFIDENTIAL
 THE INFORMATION CONTAINED HEREIN IS PROPRIETARY TO HARDIN OPTICAL COMPANY AND SHALL NOT BE REPRODUCED OR DISCLOSED IN WHOLE OR IN PART EXCEPT WHEN SUCH USER POSSESSES DIRECT, WRITTEN AUTHORIZATION FROM HARDIN OPTICAL COMPANY.

GENERAL NOTES: (UNLESS OTHERWISE SPECIFIED)

1. COMPUTER GENERATED DRAWING. DO NOT REVISE MANUALLY.
2. DIMENSIONING & TOLERANCING PER ASME Y14.5-2009.
3. ALL DIMENSIONS IN MM.
4. S1 <5 FRINGES IRR@ 632.8nm.
5. S2 PLANO: FLATNESS <8 FRINGES, <4 FRINGES IRR@ 632.8nm.
6. SURFACE QUALITY 60-40 S1, S2.
7. FLAT BEVEL 2.5mm MAX WIDTH.
8. SAFETY BEVEL 0.2mm MAX.45° ±5° FACE WIDTH.
9. CLEARAPERTURE Ø117.0mm.
10. WORKMANSHIP PER MIL-PRF-13830B
11. WEDGE <0.10mm S1, S2

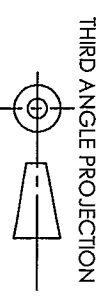


FOR QUOTE ONLY

SECTION A-A

REVISIONS		LTR	DESCRIPTION	ENGR	DATE
A	INITIAL RELEASE			DCS	2/10/12

EXCEPT WHERE NOTED, STANDARD TOLERANCES: LENGTH:



THIRD ANGLE PROJECTION

ANGULAR:	-
MACH ±.5° BEND ±2°	-
SURFACE FINISH: 125/√	-

DWG BY: DCS	DATE: 2/10/12
CHEK BY:	DATE:
CH ENGR: LH	DATE: 2/10/12
SOLIDWORKS FILE NAME:	- 5093-6
PROJECT/PROD. AREA:	-

Hardin OPTICAL
 87679 Kehl Road, Bandon, OR 97411
 www.HardinOptical.com
 800.394.3307 tel
 541.347.8176 fax

TITLE: **PMT ADAPTER**

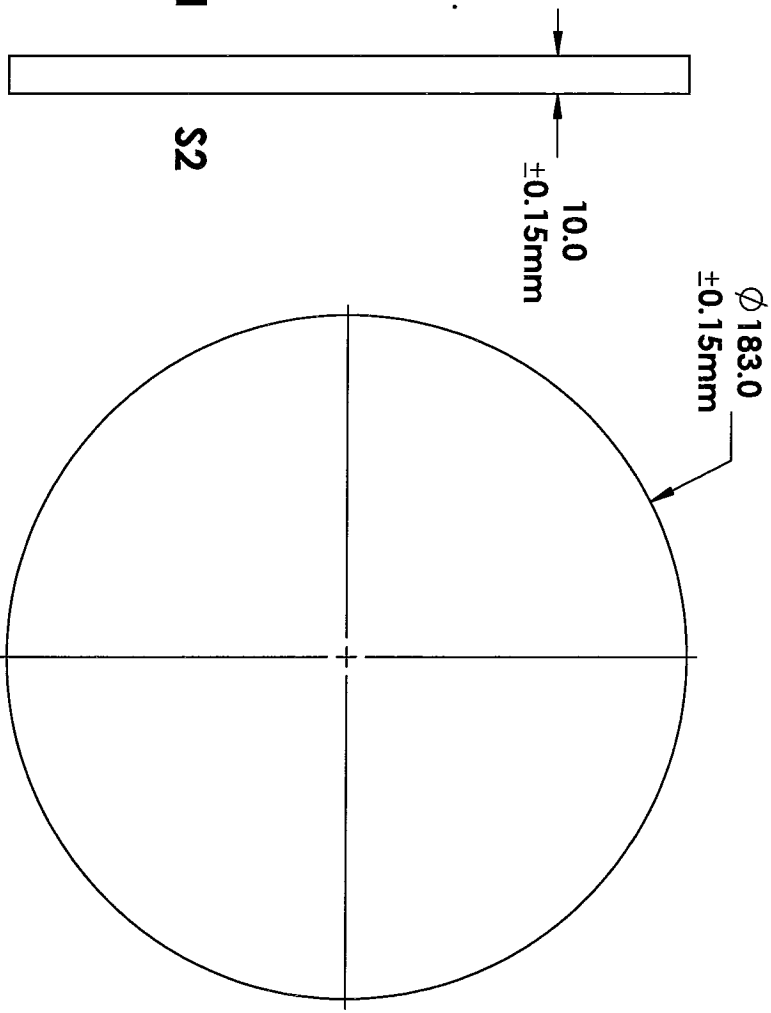
USED ON	NEXT ASSY	MATERIAL:	FUSED SILICA
APPLICATION		SURFACE TREATMENT:	

SIZE	CAGE CODE	DWG NO.	REV
A	0A6C9	1025101	A
DO NOT SCALE DRAWING			SHEET 1 OF 1

PROPRIETARY AND CONFIDENTIAL
 THE INFORMATION CONTAINED HEREIN IS PROPRIETARY TO HARDIN OPTICAL COMPANY AND SHALL NOT BE REPRODUCED OR DISCLOSED IN WHOLE OR IN PART EXCEPT WHEN SUCH USER POSSESSES DIRECT, WRITTEN AUTHORIZATION FROM HARDIN OPTICAL COMPANY.

GENERAL NOTES: (UNLESS OTHERWISE SPECIFIED)

1. COMPUTER GENERATED DRAWING. DO NOT REVISE MANUALLY.
2. DIMENSIONING & TOLERANCING PER ASME Y14.5-2009.
3. ALL DIMENSIONS IN MM.
4. S1,S2 PLANO: FLATNESS <8 FRINGES <4 FRINGES IRR @632.8nm.
5. SURFACE QUALITY 60-40 S1,S2.
6. SAFETY BEVEL 0.5mm MAX.@ 45° ±5°FACE WIDTH.
7. CLEARAPERTURE Ø170.0mm.
8. WORKMANSHIP PER MILL-PRF-13830B
9. WEDGE <0.10mm. S1,S2



FOR QUOTE ONLY

REVISIONS		LTR	DESCRIPTION	ENGR	DATE
A	INITIAL RELEASE	DCS	2/10/12		
B	CHANGED 180. TO 183.	DCS	2/22/12		

EXCEPT WHERE NOTED, STANDARD TOLERANCES:		THIRD ANGLE PROJECTION		DWG BY: DCS	DATE: 2/10/12
LENGTH:				CHECK BY:	DATE:
ANGULAR:		-		CH ENGR: LH	DATE: 2/10/12
MACH ±.5° BEND ±2°		-		SOLIDWORKS FILE NAME:	-5093-7 PMT WINDOW
SURFACE FINISH: 125/√		-		PROJECT/PROD. AREA:	-
		USED ON		MATERIAL: FUSED SILICA	
		NEXT ASSY		SURFACE TREATMENT:	
		APPLICATION			
				SIZE	CAGE CODE
				A	0A6C9
				DWG NO.	1025102
				DO NOT SCALE DRAWING	SHEET 1 OF 1
				REV	B

Hardin OPTICAL
 87679 Kehl Road Bandon, OR 97411
 www.HardinOptical.com
 800.394.3307 tel
 541.347.8176 fax

PMT WINDOW