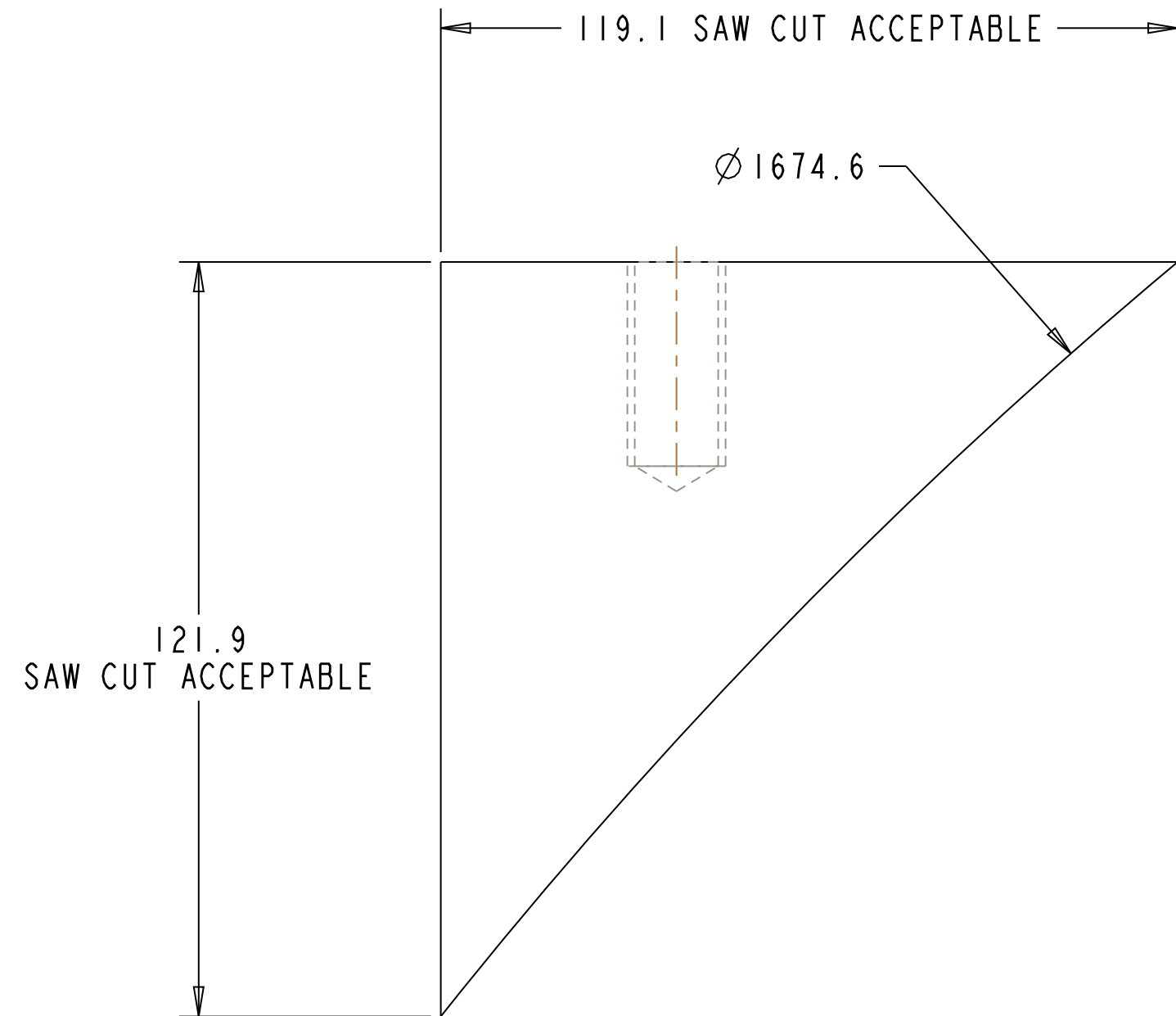


ITEM	DESCRIPTION	MAT'L	QUANTITY



MATL: ALUM 6061-T6

ALL DIMENSIONS IN mm UNLESS OTHERWISE SPECIFIED
 TOLERANCES UNLESS OTHERWISE SPECIFIED:
 FRACTIONAL DIMENSIONS
 DECIMAL DIMENSIONS XX ± 0.5
 ANGULAR DIMENSIONS ± 0.5°
 SURFACE FINISH MILL FINISH

REF. DWGS.	REV.	DATE	REVISION	BY
	B		DECREASE DIAMETER	

UNIVERSITY OF ALBERTA
 EDMONTON ALBERTA CANADA

DESIGNED CHRIS NG TELEPHONE (780) 492 5979
 DRAWN CHRIS NG FAX (780) 492 3408
 CHECKED E-MAIL: cjng@ualberta.ca

APPROVED

CENTER OF PARTICLE PHYSICS

LIFTING LUG

SCALE 1.000 APPROVAL DWG. NO. REV.
 DATE MAY 10, 2012 CHIEF ENGR B