

e

d

c

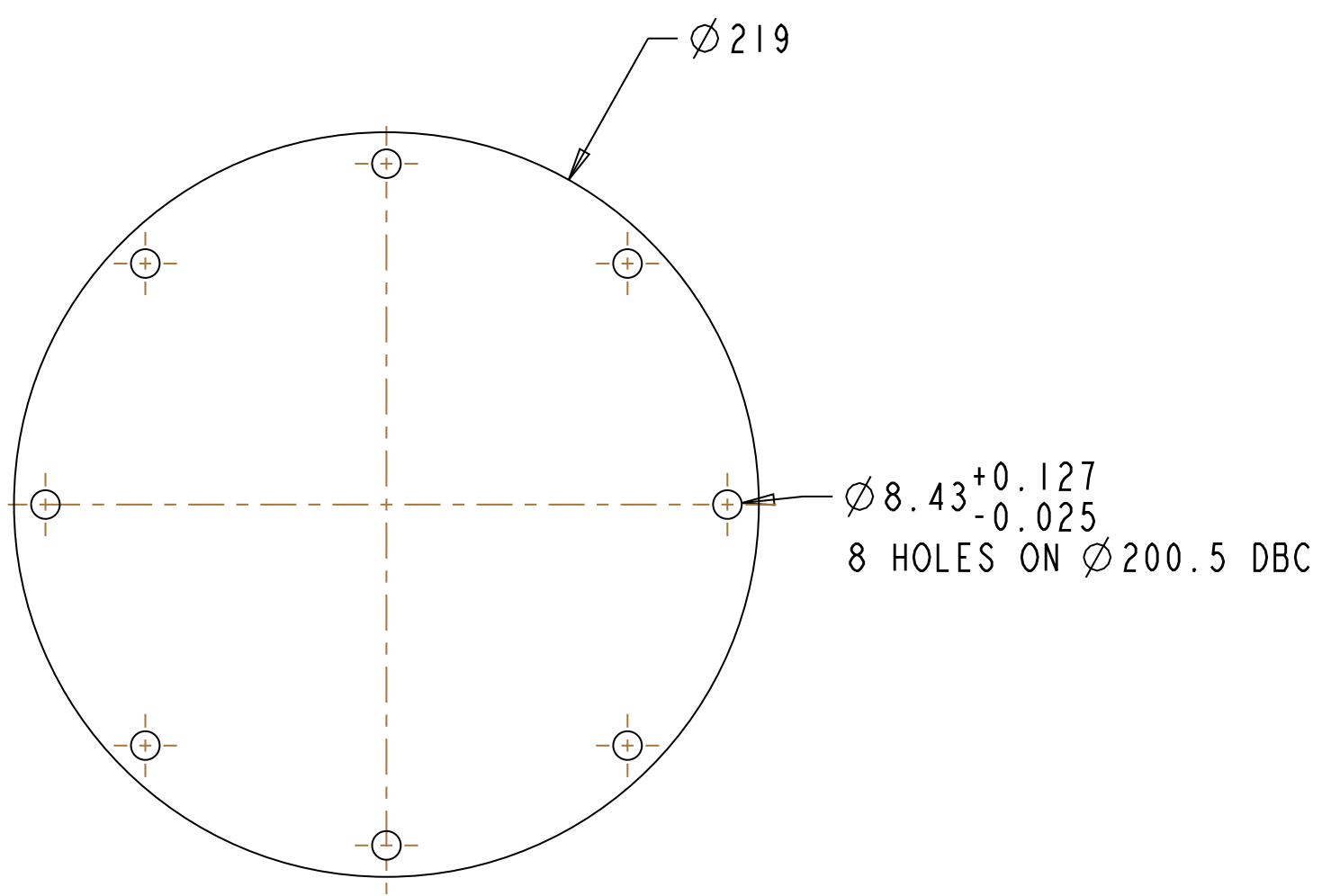
b

a

ITEM	DESCRIPTION	MAT'L	QUANTITY

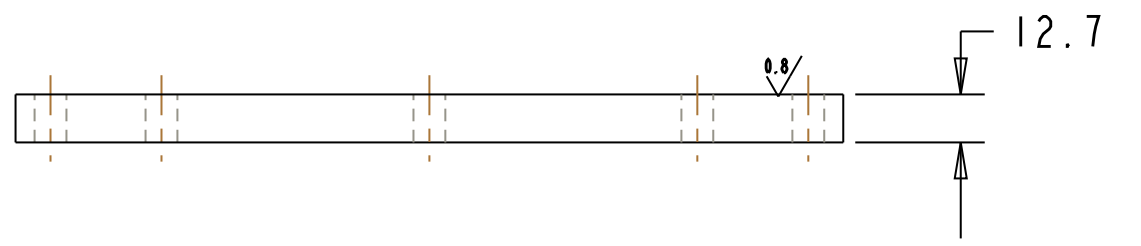
3

3



2

2



MATL: 0.5" STEEL PLATE

REF. DWGS.	REV.	DATE	REVISION	BY
			B FIXED TOLERANCES	

UNIVERSITY OF ALBERTA
EDMONTON ALBERTA CANADA

DESIGNED CHRIS NG TELEPHONE (780) 492 5979
DRAWN CHRIS NG FAX (780) 492 3408
CHECKED E-MAIL: cjng@ualberta.ca

APPROVED

CENTER OF PARTICLE PHYSICS

QUARTZ WINDOW BLANK OFF

SCALE 0.500 APPROVAL DWG. NO REV.
DATE APR 17, 2012 CHIEF ENGR B

1

1

e

d

c

b

a