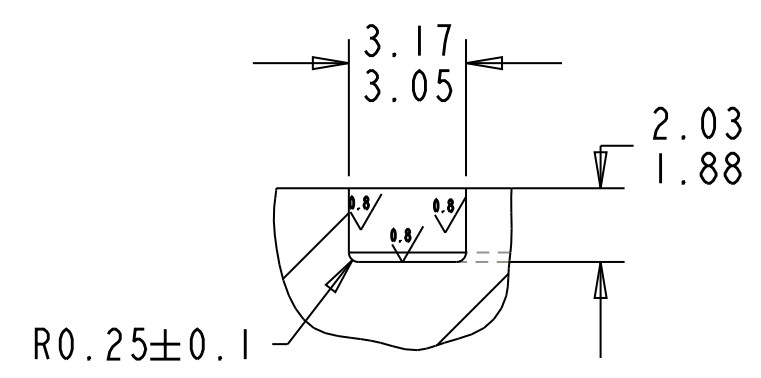
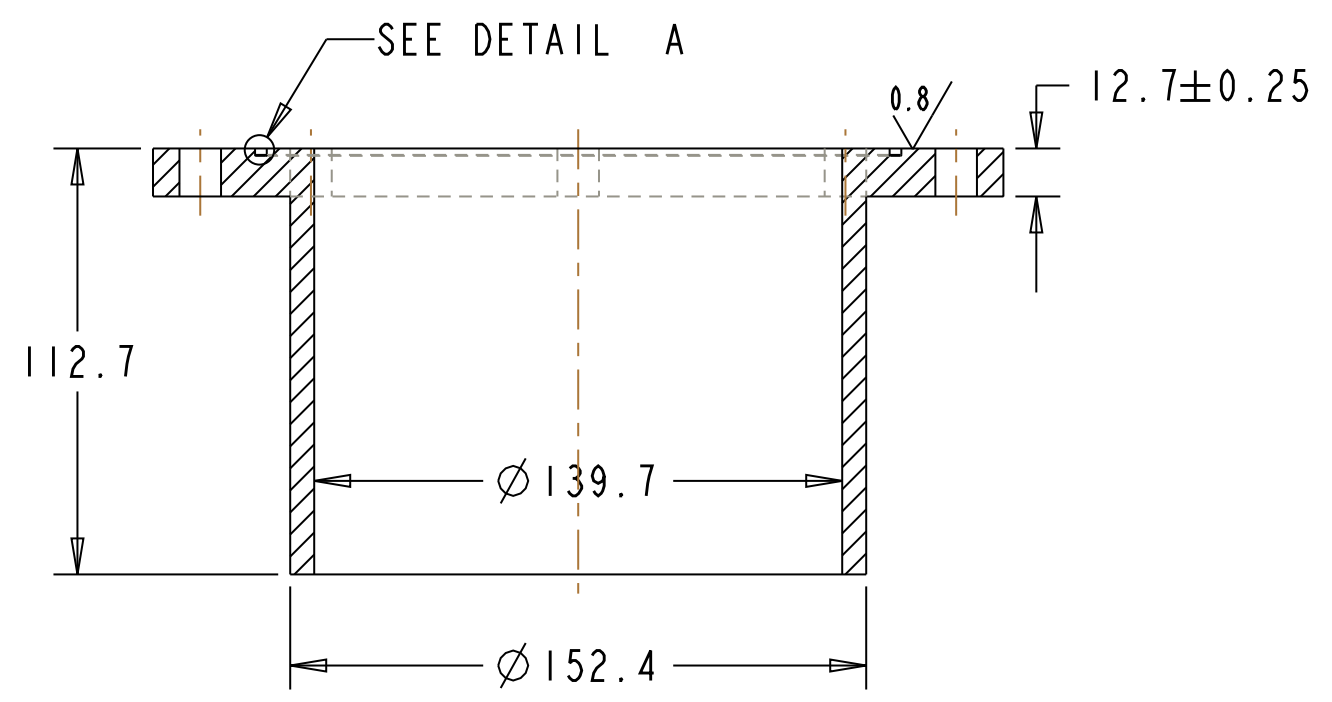
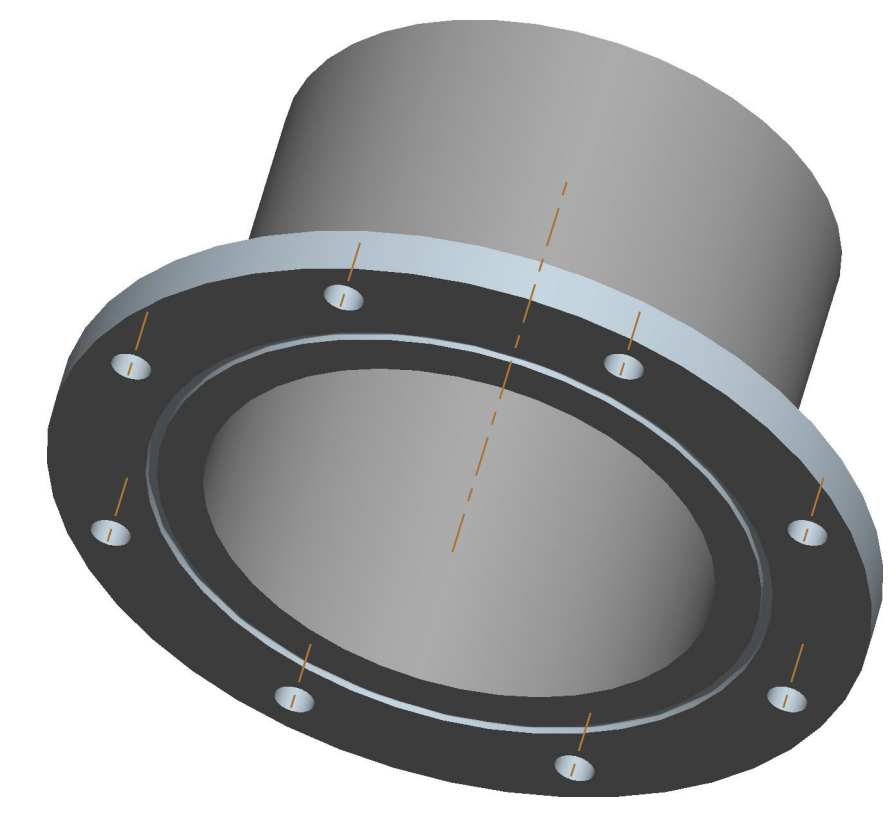
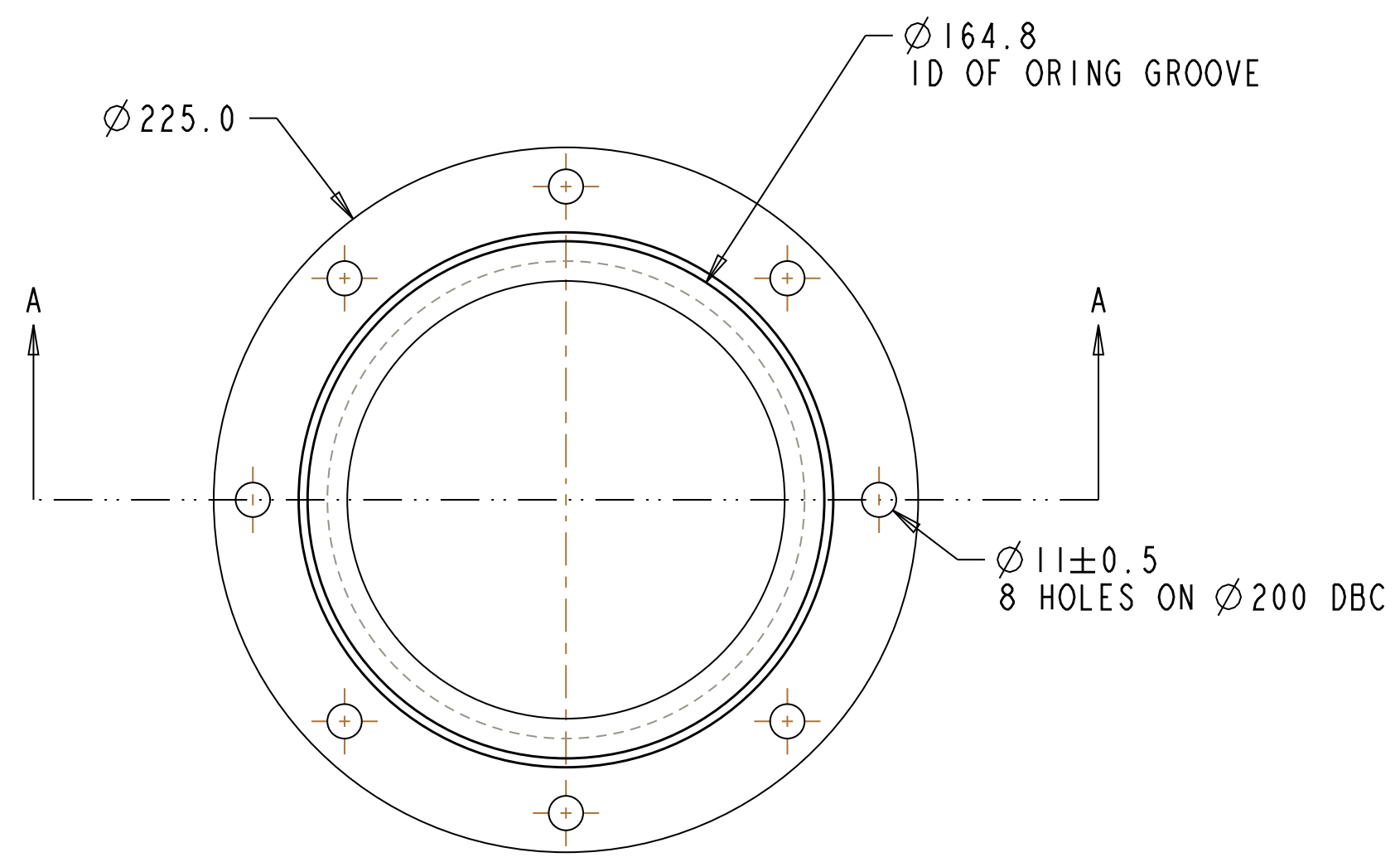


ITEM	DESCRIPTION	MAT'L	QUANTITY



DETAIL A  
SCALE 5.000

SECTION A-A

- NOTES:
- O-ring Groove for AS568-165 Standard Viton O-ring
  - Sealing surface must be free of burrs and scratches

MATL: ALUM 6061

	B		FIXED TOLERANCES	
	C		REDESIGN OF PART	
REF. DWGS.	REV.	DATE	REVISION	BY

ALL DIMENSIONS IN mm UNLESS OTHERWISE SPECIFIED  
 TOLERANCES UNLESS OTHERWISE SPECIFIED:  
 FRACTIONAL DIMENSIONS  
 DECIMAL DIMENSIONS XX ± 0.5  
 ANGULAR DIMENSIONS ± 0.5°  
 SURFACE FINISH MILL FINISH

**UNIVERSITY OF ALBERTA**  
 EDMONTON ALBERTA CANADA

DESIGNED CHRIS NG TELEPHONE (780) 492 5979  
 DRAWN CHRIS NG FAX (780) 492 3408  
 CHECKED E-MAIL: cjng@ualberta.ca

APPROVED

**CENTER OF PARTICLE PHYSICS**

GAS PORT FLANGE

SCALE 0.500 APPROVAL DWG. NO. REV.  
 DATE JULY 13, 2012 CHIEF ENGR C

3

3

2

2

1

1